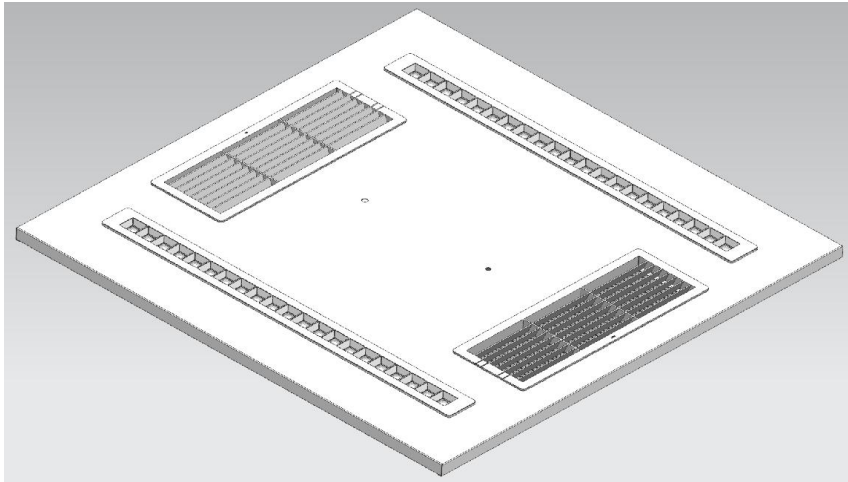




# Air Circulation Germicidal light

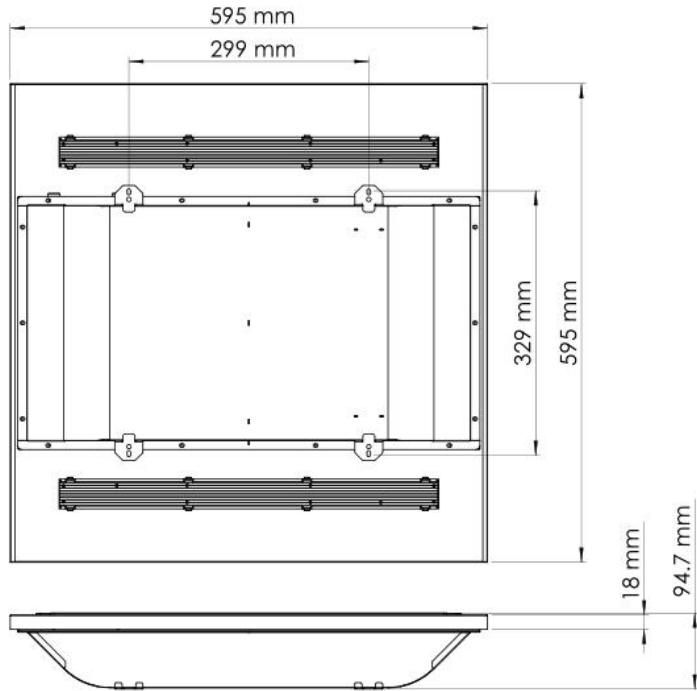
UV-C Disinfection/UV-C Sterilization  
UV-C Air Recirculation

# Advantage

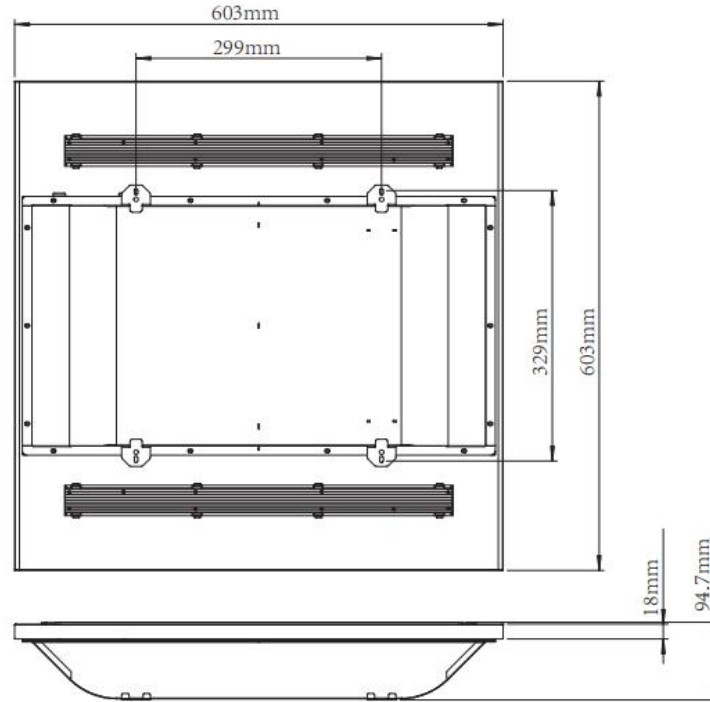


- 1. Using 253.7 wavelength ultraviolet light, can effectively kill mainstream viruses and bacteria, This germicidal wavelength does not generate Ozone, achieve the purpose of purifying the air.
- 2. The overall working noise is controlled under 42 decibels.
- 3. The UV tubes are 11000hours life time and easy to replace.(After 9000H using, the efficiency will be around 80%)
- 4. The filter cotton can effectively filter the dust in the air, protect the lamp tube from damage, and the filter cotton is easy to replace.
- 5. Ensuring that this light can be used continuously around people and pets.
- 6. Remote control or switch control, is optional.
- 7. Saving space(combine UVC and regular lighting).
- 8. Warranty 5 years. (Does not include fragile UVC lamp and filter cotton)
- 9. 30W, 120lm/W, Tridonic driver, UGR<16.
- 10. UVC shelled inside can be work when people occupied 100% Safty
- 11. **When the filter needs to be replaced, there will be a signal light to prompt the replacement**

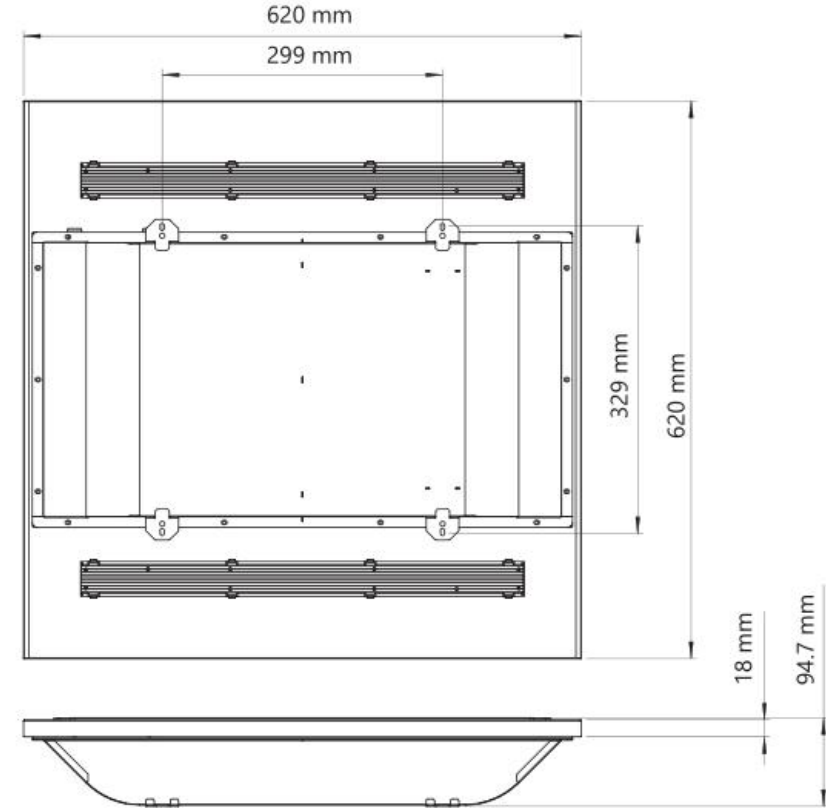
# Dimensions



Tickness:95mm  
Size: 595x595



Tickness:95mm  
Size: 603x603



Tickness:95mm  
Size: 620x620

- Suitable different ceiling Size

- You can replace this UVC Tube with philips brand as following item:

# UVC information

## Philips

### TUV 11W FAM/10X25BOX



#### General Information

Cap-Base	G5 [ G5]
Main Application	Disinfection
Useful Life (Nom)	11000 h

#### Light Technical

Color Code	- [ Not Specified]
Color Designation - [ Not Specified]	- [ Not Specified]

Depreciation At Useful Lifetime 15%

#### Operating and Electrical

Power (Rated) (Nom)	11 W
Lamp Current (Nom)	0.33 A
Voltage (Nom)	26 V

#### Mechanical and Housing

Cap-Base Information	-
----------------------	---

#### Approval and Application

Mercury (Hg) Content (Nom)	4.4 mg
----------------------------	--------

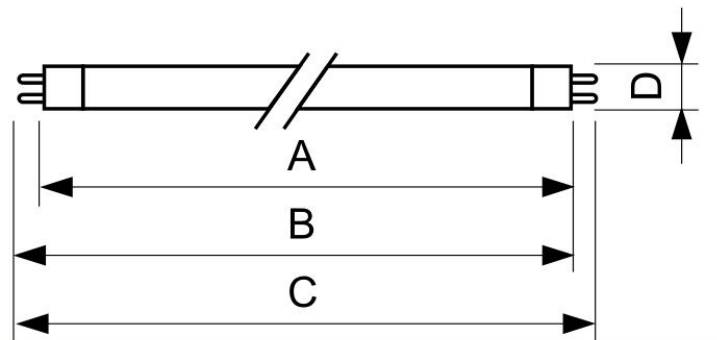
#### UV

UV-C Radiation	2.6 W
----------------	-------

#### Product Data

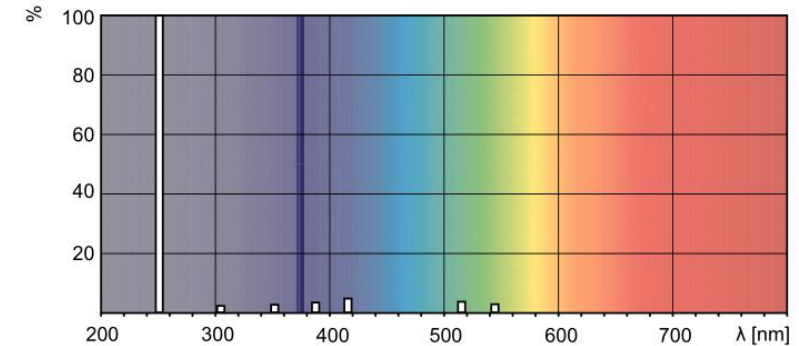
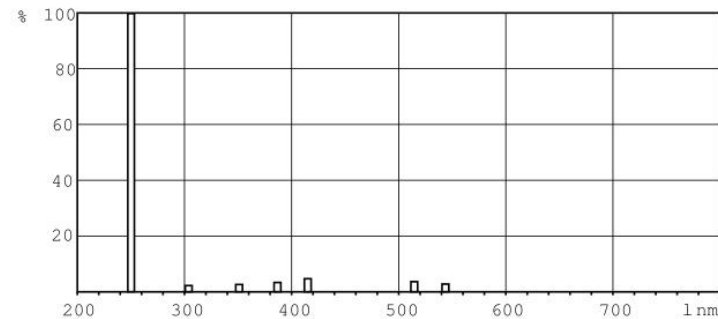
Full product code	871150055965427
Order product name	TUV 11W FAM/10X25BOX
EAN/UPC - Product	8711500559654
Order code	928002204013
Net Weight (Piece)	22.000 g

Dimensional drawing



Product	D (max)	B (max)	B (min)	C (max)	A (max)
TUV 11W FAM/10X25BOX	16 mm	219.2 mm	216.8 mm	226.3 mm	212.1 mm

Photometric data



- A lamp breaking is extremely unlikely to have any impact on your health. If a lamp breaks, ventilate the room for 30 minutes and remove the parts, preferably with gloves. Put them in a sealed plastic bag and take it to your local waste facilities for recycling. Do not use a vacuum cleaner.
- DANGER:** Risk Group 3 Ultra Violet product. These lamps emit high-power UV radiation that can cause severe injury to skin and eyes.
- Avoid eye and skin exposure to unshielded product. Use only in an enclosed environment which shields users from the radiation

## Light information

Item No.	CE item No.	Size(mm)	Wattage(W)	Colour temperature(K)	Lumen efficiency(LM)	UGR	Weight(KGS)
ES-ACG-595X595-30W	ES-ACG-30W	595X595X95MM	30	4000	3600	<16	6.6
ES-ACG-620X620-30W	ES-ACG-30W	620X620X95MM	30	4000	3600	<16	6.9
ES-ACG-603X603-30W	ES-ACG-30W	603X603X95MM	30	4000	3600	<16	6.7

- Dimmable driver and Dali driver optional
- 3000K/6000K, is optional

## Fixture Compatibility

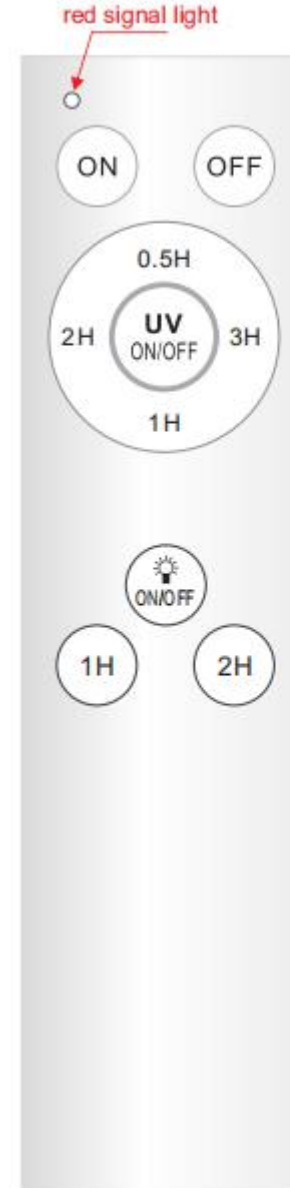
Light Wattage	Fan Wattage	UVC Tube	Electrical Classification	Ingress Protection	Operating Temp.	Operating Humidity	Storage Temp.
30W	1.4W(with remote control) 2.5(without remote control)	11W	I	IP20	-20°C~45°C	0~90%	-20°C~65°C

## Filter information-Primary filter

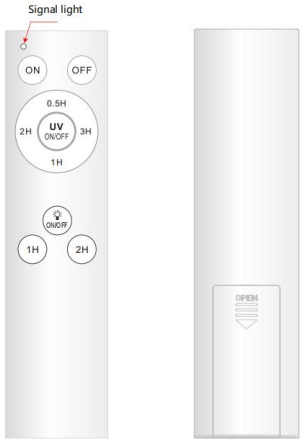
1. The main components are mostly: PET (polyester fiber) and PP (polypropylene fiber)
2. Filtration efficiency for 5µm particles are: 80%, European standards G3
3. The filters are suggested, to replace after 3 month(2160h) using.

# Wireless infrared button remotecontroller

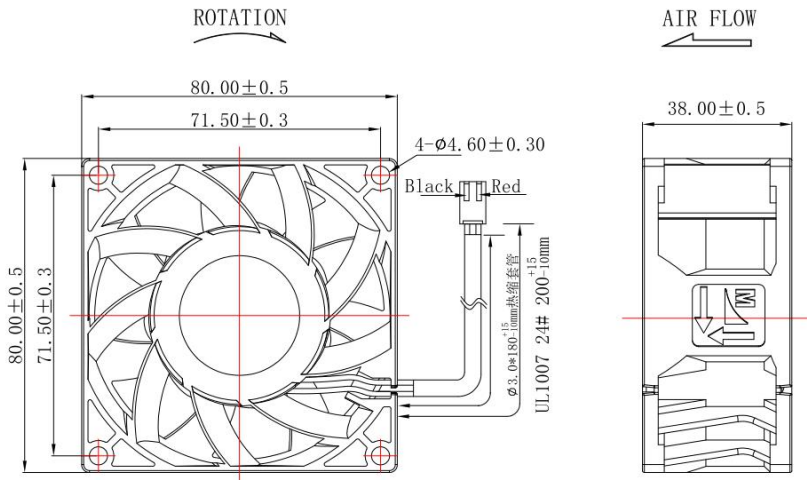
1. The lamp can be controlled by multiple remote controls;
2. Add the function of sterilization time setting, from 0.5H to 3H;
3. The sterilization function and the lighting function are separate;
4. The remote control uses two AAA batteries;



# Fan information



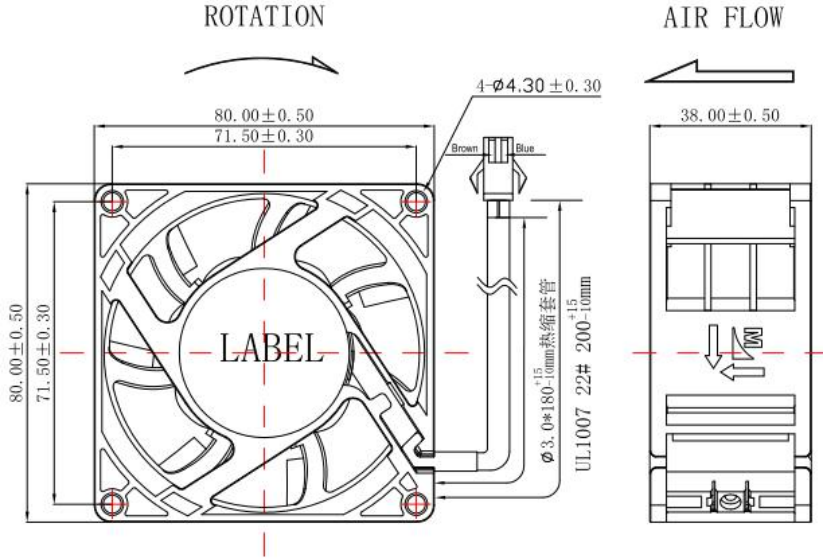
— with remote control



ITEM	Specfication Condition		
Item No.	DZ08038B24LA		
Dimension	80x80x38mm		
Rated Voltage	24VDC		
Start-up Voltage	12VDC (50/60Hz)	25°C Switch power ON/OFF	
Operating Voltage	14.0~27.6VDC		85-265VDC
Rated Speed	2300rpm	±10%	a.Rated Voltage
Maximum Current	0.06A	±10%	b.25°C and 65%RH
Maximum Power	1.44W		c.Measured after 5Mins
Rated Airflow	29.53	CFM	/PQ Measurement Apparatus : (LW9266-SR)
	0.84	m <sup>3</sup> /min	Standard : AMCA
Rated Static Pressure	0.12	Inch-H2O	Rated Voltage
	3.06	mm-H 2 O	Rated Current
Life Expectancy	70000hrs at 40°C		a.L10 at Conf. Level 90%
			b.Rated Voltage
Noise Level	29.7dB Max		a.Rated Voltage
			b.Non-Echo Chamber
			c.Standard:CNS,8753/ISO3744
			d.Test Condition:ISO 7779
			e.Distance: 1.0M
Motor Type	AC Frequency-Switching Fan		

# Fan information

——without remote control



ITEM	Specification Condition		
Item No.	AF08038B22LL		
Dimension	80x80x38mm		
Rated Voltage	100-120/220-240VAC (50/60Hz)		
Start-up Voltage	85VAC (50/60Hz)		85VDC
Operating Voltage	85~265VAC(50/60Hz)		85-265VDC
Rated Speed	3000rpm	$\pm 10\%$	a.Rated Voltage
Maximum Current	0.04A		b.25°C and 65%RH
Maximum Power	2.7W	CFM	c.Measured after 5Mins
Rated Airflow	31.42		/PQ Measurement Apparatus : (LW9266-SR)
Rated Static Pressure	0.89	$m^3/min$	Standard : AMCA
	0.17	Inch-H2O	Rated Voltage
Life Expectancy	43.41	Pa	Rated Current
	70000hrs at 40°C		a.L10 at Conf. Level 90%
Noise Level	30dB		b.Rated Voltage
			a.Rated Voltage
			b.Non-Echo Chamber
			c.Standard:CNS,8753/IS O3744
			d.Test Condition:ISO 7779
			e.Distance: 1.0M
Motor Type	AC Frequency-Switching Fan		



## Other Advantage

- 1.SPCC (stainless steel, plate, cold, common)house.
- 2.Anti UV plastic for Filter holder, to anti yellow.
- 3.Main sterilization factor: UVC 253.7nm Tubes @philips brand.
- 4.Can be used everywhere there air needs to be sterilized
- 5.Rate of killed: 99.92%
- 6.CE.RoHS.CB. certification all pass.

# Application



# Reference

Area	Number of Luminaire	Time required for purification 99.92%
20m <sup>2</sup>	1	2H
40m <sup>2</sup>	2	2H
60m <sup>2</sup>	3	2H

- Flow rate:60 m<sup>3</sup>/H (30CFM(cubic feet per minute) 10x10 8 feet space, this light can refresh 2.5times

# Certificate

Staphylococcus albus-Killing rate: 99.92%

UVC safty report: 0% let out

**广微测 Gmicro Testing** MA CNAS

广东省微生物分析检测中心  
GUANGDONG DETECTION CENTER OF MICROBIOLOGY  
分析检测报告  
ANALYSIS AND TEST RESULT


报告编号 (Report No.): 2020SP6411R00D

1. 检测菌株 Test organisms: 白色葡萄球菌 (Staphylococcus albus) 8032  
2. 检测方法: 《消毒技术规范》(卫生部 2002 年版) 2.1.3  
Test Method: Technical Standard for Disinfection (2002 Ministry of Health P.R.China) 2.1.3  
3. 检测结果 Test results:

检测时间 Test Time	作用组 Test groups	初始菌数 Number of bacterial colonies in initial space air (cfu/m <sup>3</sup> )	对照组 Control group 初始菌数 Number of bacteria in the air after sterilization (cfu/m <sup>3</sup> )	测试组 Test Group 初始菌数 Number of bacterial colonies in initial space air after sterilization (cfu/m <sup>3</sup> )	杀灭率 Star-killing Rate (%)	平均杀灭率 Aver age (%)
2h	1	1.8 × 10 <sup>6</sup>	1.2 × 10 <sup>6</sup>	1.8 × 10 <sup>6</sup>	< 8.1 × 10 <sup>5</sup>	> 99.92
	2	1.7 × 10 <sup>6</sup>	1.3 × 10 <sup>6</sup>	1.8 × 10 <sup>6</sup>	< 8.1 × 10 <sup>5</sup>	> 99.92
	3	1.8 × 10 <sup>6</sup>	1.3 × 10 <sup>6</sup>	1.7 × 10 <sup>6</sup>	< 8.1 × 10 <sup>5</sup>	> 99.92

测试空间大小 Test space: 试验箱 10m<sup>3</sup> Test equipment box  
消毒灭菌环境温度 Disinfection or Sterilization temperature: 62℃  
测试环境温度 Test environment temperature: 24℃  
备注: 杀灭率试验结果已消除微生物在空气中自然消亡因素的影响。  
Note: The result of bactericidal rate test has eliminated the effect of microbial natural decay in air.

样品照片 Sample photos



(以下空白, Blank below)

第 3 页 共 4 页

**ICAS 英格尔集团**

TEST REPORT

Report No.: SHC2005995-01E Date: 2020-06-19 Page: 1 of 2

Applicant: HAINING ESL ELECTRICAL LIGHTING APPLIANCE CO.,LTD  
Address: Haiyuan Road 3d Economic Development Area of Haining Street, Jiaxing City, Zhejiang Province

Sample Information:  
Sample Name: Air Circulating germicidal lamp  
Sample Type/Specification: / /  
Sample Qty: 1

Above information and sample(s) were submitted and certified by/on behalf of the applicant. ICAS was not responsible for the authenticity of the sample, and quoted the information with no responsibility as to the accuracy, adequacy and/or completeness.

Sample No.: C2005995-01  
Date of Sample Received: 2020-05-27  
Sample Test Period: 2020-05-27 - 2020-06-11  
Content: /  
Method(s): /  
Test Result(s): /  
Test Method(s): /  
Test Results: /

Prepared by: 曹彩金 (曹彩金) Reviewed by: 杨仁琪 (杨仁琪) Approved by: 郭翠琴 (Authorized signatory: 郭翠琴)

英格尔检测技术服务(上海)有限公司 NCA 0224080  
151 313151 151 313151 151 313151 151 313151 151 313151  
Haizhou 020-182-3001 Tel: 0206-21-51682918 www.icas.cn Add: 155 Puyuan Rd, Minhang District, Shanghai 上海闵行区浦锦街道3115号

**CAS 中科检测** Guangzhou CAS Test Technical Services Co., Ltd.  
Report No.: JKK20060143(E) Report Date: 2020/07/14 Page No.: 1 of 4

**MA TEST REPORT** CNAS

201819000873

Applicant: HAINING ESL ELECTRICAL LIGHTING APPLIANCE CO.,LTD  
Address: NO.3 Haiyuan Road, Caohejing Economic Development District, Haining City, Zhejiang Province, China.

The following merchandise was (were) submitted and identified by the client as:

Name of Sample: Air Circulating Germicidal Lamp  
Test Type: Commission  
Sample Quantity: 1pcs  
Model: ES-ACG-30W  
Batch No.: 20200622  
Brand: ZJESL  
Manufacturer: HAINING ESL ELECTRICAL LIGHTING APPLIANCE CO.,LTD  
Sample Received: 2020/06/24  
Test Period: 2020/06/24 - 2020/07/14  
Test Items: /  
Test Method: /  
Test Result: /  
Sample Description: Solid  
Note: /

Edited by: 曹彩金 Approved by: 郭翠琴  
Checked by: 曹彩金 Official Seal: 广微测专用章

Add: No. 268 Xingke Road, Tianhu District, Guangzhou, P. R. China. ZIP Code: 510650  
Tel: 020-85231290, 020-85221823 Website: http://www.cas-test.org  
Fax: 020-85231835 E-mail: str@cas.cn

**广微测 Gmicro Testing** MA CNAS

广东省微生物分析检测中心  
GUANGDONG DETECTION CENTER OF MICROBIOLOGY  
分析检测报告  
ANALYSIS AND TEST RESULT

报告编号 (Report No.): 2020SP6488R01D

1. 方法简述: 开启样机 5min, 待稳定后, 在距离消毒器外表面四周 30cm 处, 用紫外线辐射照度计测量其辐照强度 (μW/cm<sup>2</sup>)  
Methods: The prototype was opened for 5min. After stabilization, the irradiation intensity (μW/cm<sup>2</sup>) was measured with an ULTRAVIOLET irradiance meter 30cm from the outside surface of the sterilizer.  
2. 测试结果 Test results:

样品名称 Name of Sample	辐照强度 (μW/cm <sup>2</sup> ) radiation intensity
Air Circulating Germicidal Lamp	0.00

3. 样品照 Sample photos:

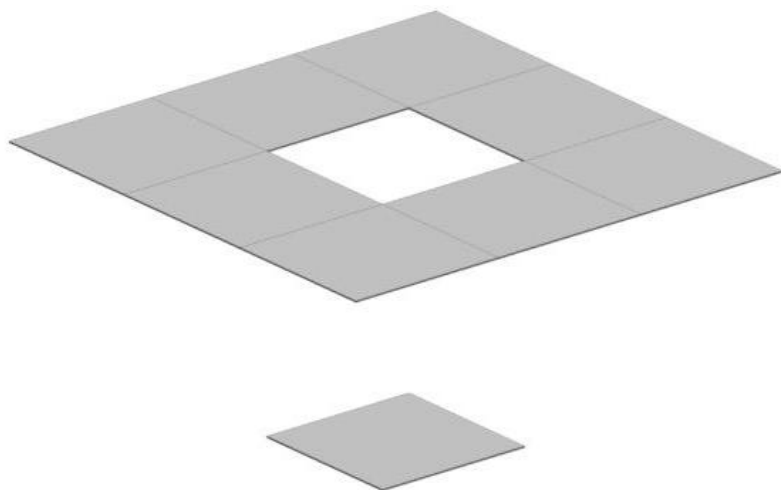


(以下空白, blank below)

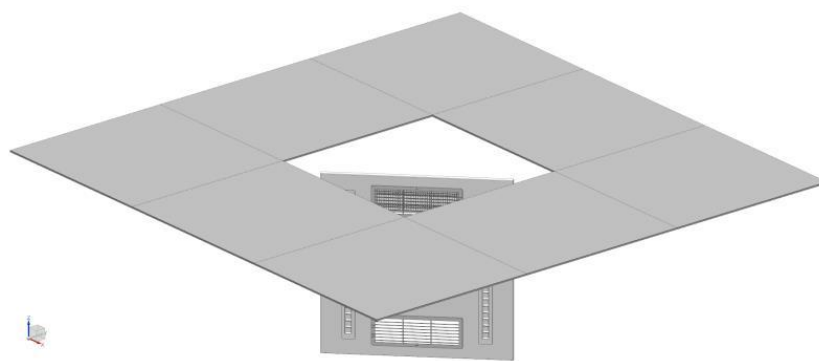


# Installation (Recessed into ceiling)

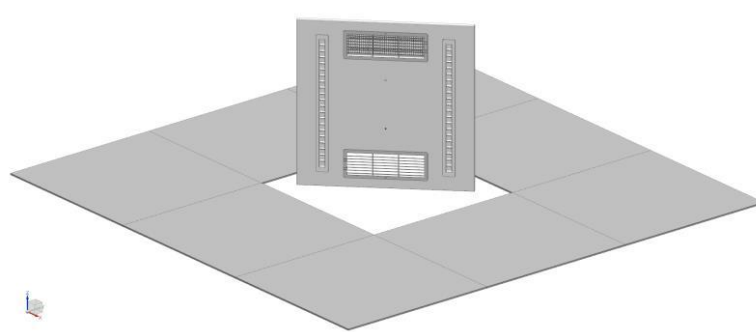
①



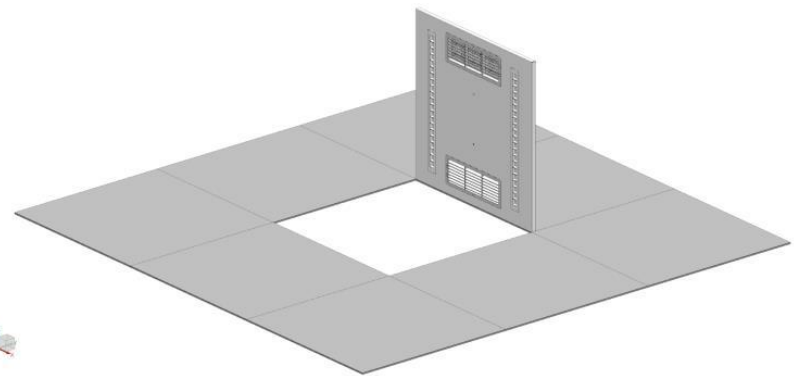
②



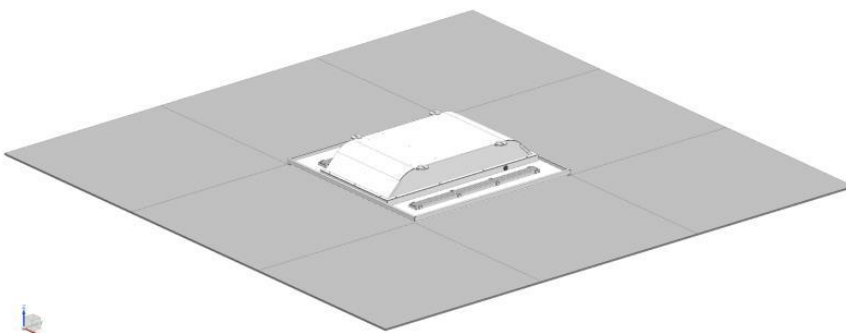
③



④



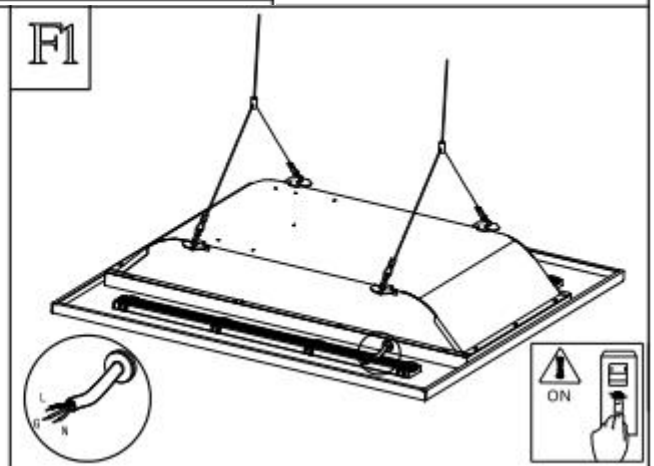
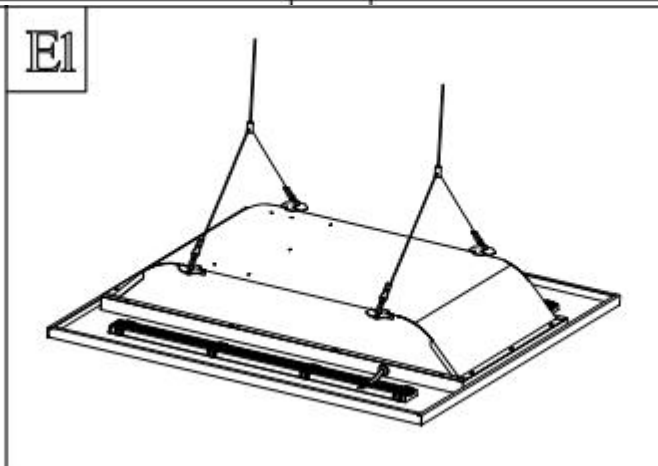
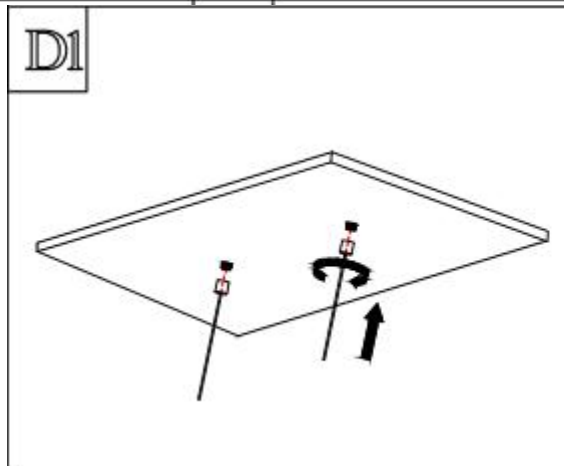
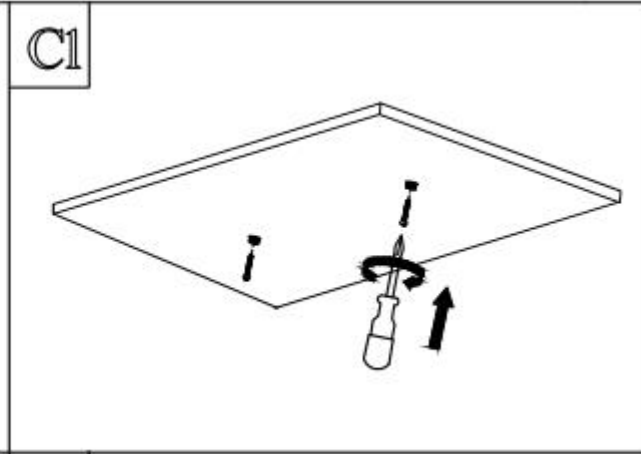
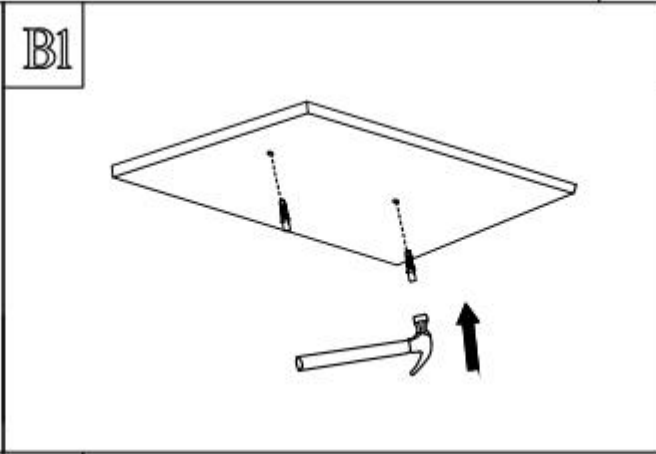
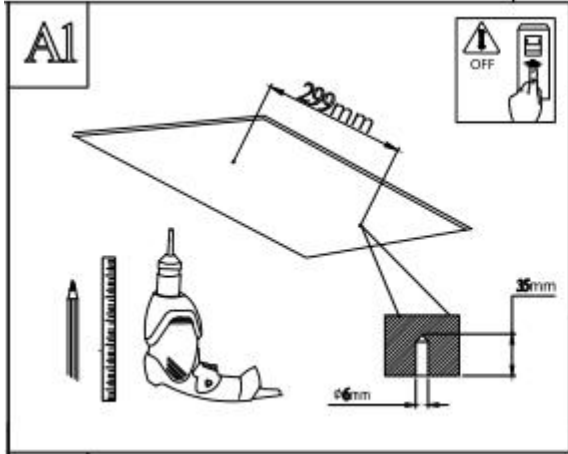
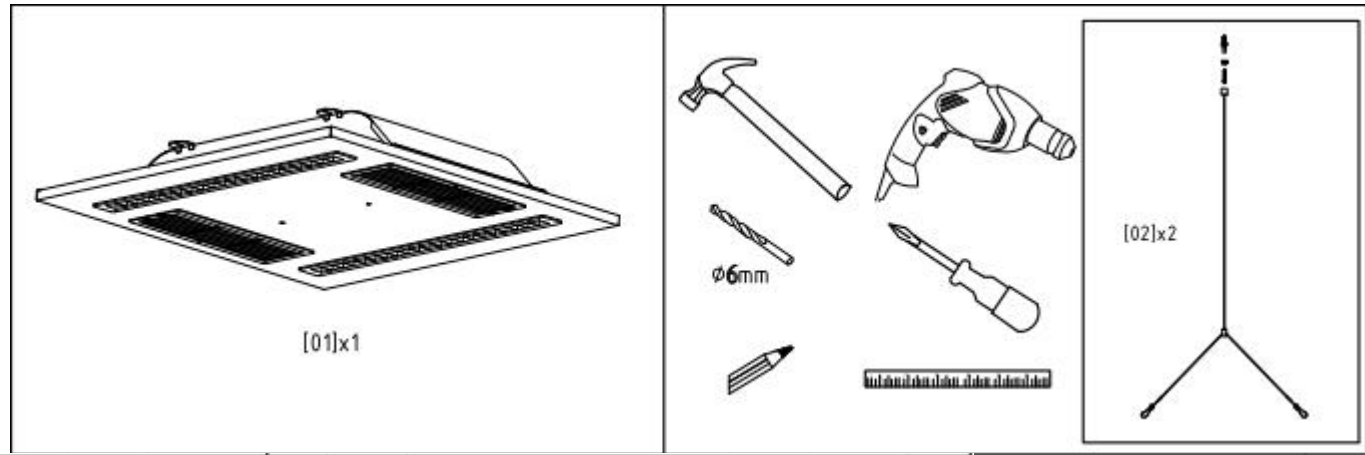
⑤



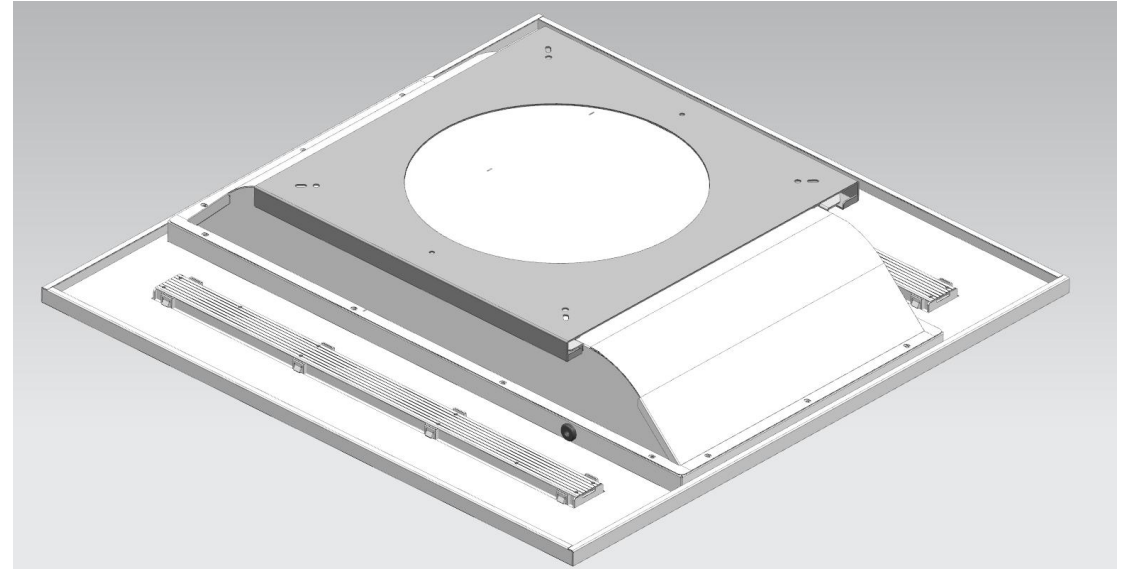
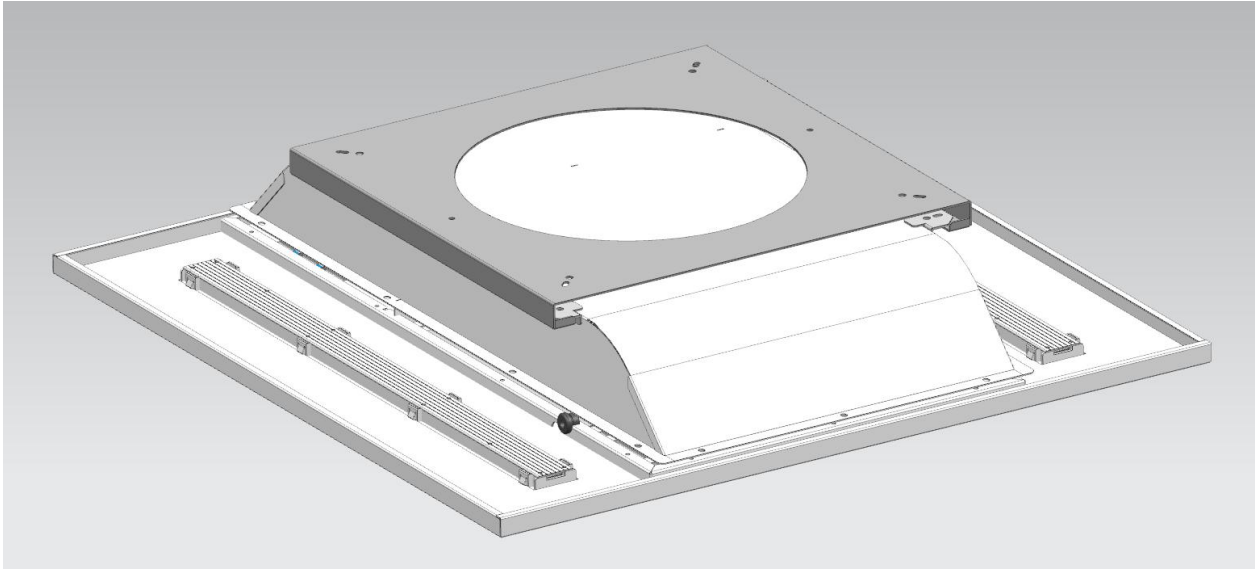
- Surface mounted installation , is optional

# Installation (Suspending)

- Surface mounted installation , is optional



# Installation (surface mounted)



**Thank you**