

LUNA SERIES

LED HIGHBAY

Efficiency
160lm/w

Value for Money

High quality, low price. Glare reduced modern design highbay fixture (IP65) for industrial halls, warehouses, workshop and indoor spaces.



EUROPEAN DESIGN PATENT

High performance & anti-glare lens



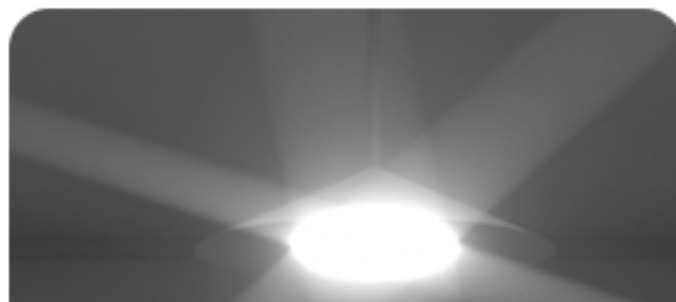
LUNA unique anti-glare design



Typical UFO design



**LUNA reduced glare
UGR<19**



**Typical UFO glare
UGR>22**



Dimmable

The LUNA Series highbay fixtures are dimmable with a combined motion / daylight sensor.



Sensor Options

*Micro-wave
& Daylight*

*PIR
& Daylight*

PLUG-IN SENSOR

MOTION DETECTION



Range of exposure
110°

12m

18m

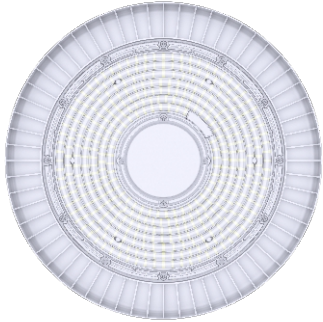


Plug-in Sensor

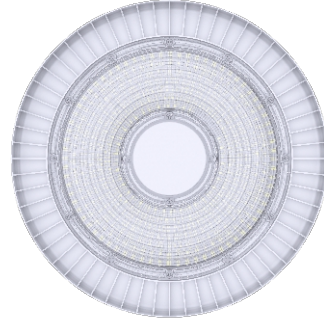
Natural daylight detection



Standard version



reduced glare UGR<21

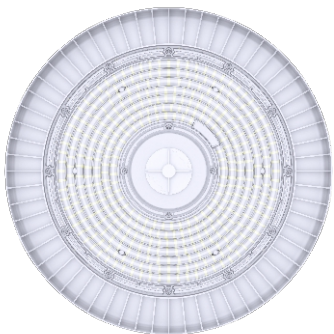


90° anti-glare lens

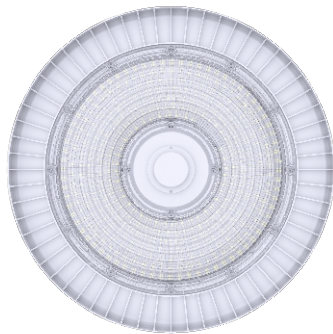


without sensor

Plug-in sensor version



reduced glare UGR<19



110° anti-glare lens



sensor available

Efficiency
160lm/w

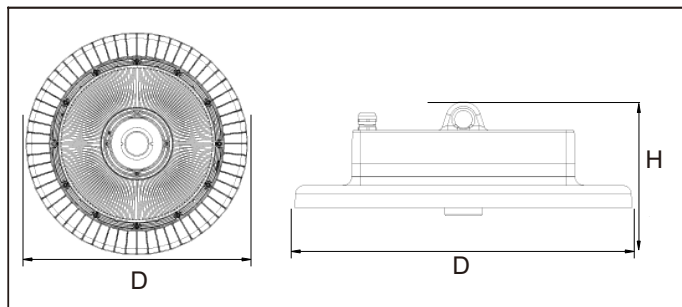


Philips LED + Sosen driver
Long lifetime 5 years warranty



Features

Housing: Die-cast
 Thermal Conductivity: 96 W/m · K
 Led: Philips
 CRI: Ra>80 (90 for option)
 SDCM: <6
 Power Factor: >0.95
 THD: <15
 Driver: Sosen
 Driver Efficiency: >93%
 Protection: OTP, OCP, OVP, SCP
 Surge Protection: 4KV
 Waterproof: IP65
 Impact Test: IK08
 Electrical: 100-277V, 50/60Hz
 Operating Temperature: -40~60 °C
 TM21: L80B10>50,000H
 Lifetime: 50,000H



Optional functions:

DALI - ZigBee - PWM 0/1-10V - Micro-wave

Optical options:



160 lm/w

5 YEARS WARRANTY

Sosen Driver

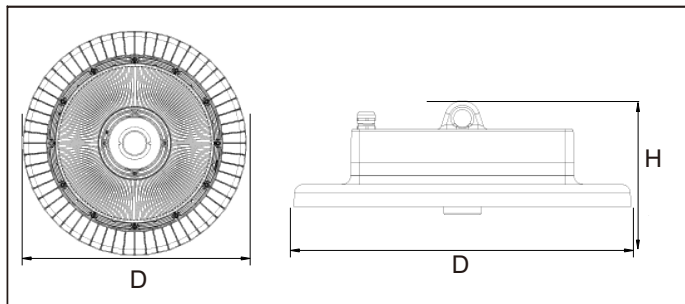
Philips LED

Model	Watt	Voltage	Lumen	CRI	IP	Dimension
U-L-100	100W	100~277V	16000LM	>80	IP65	D380*H130mm
U-L-150	150W	100~277V	24000LM	>80	IP65	D380*H130mm
U-L-200	200W	100~277V	32000LM	>80	IP65	D380*H130mm



LUNA series

Packing



Model	Outer Carton(mm)			QTY / CTN	NW/CTN	GW/CTN
U-L-100	450	450	170	1	2.50	3.70
U-L-150	450	450	170	1	2.60	3.80
U-L-200	450	450	170	1	2.70	3.90

