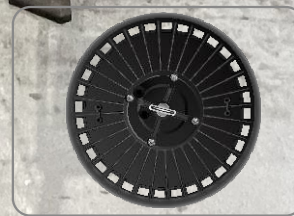
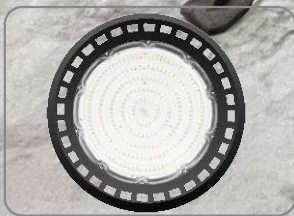


Orion Series

Value for Money

High quality, low price. Sosen driver and Philips led are used to guarantee high quality and 5 years warranty. Die-cast aluminium housing and super efficient; 150 lm/W. For all indoor spaces with ceilings higher than 6 meter.

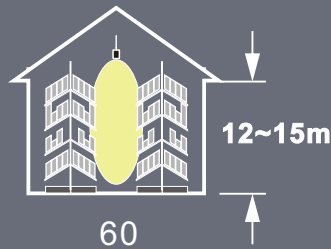
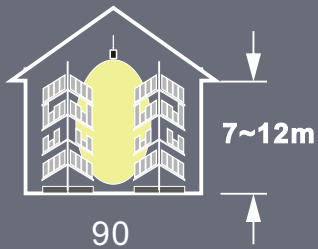
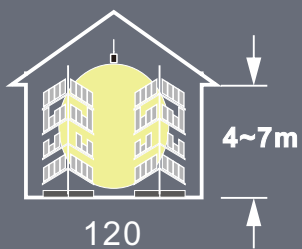
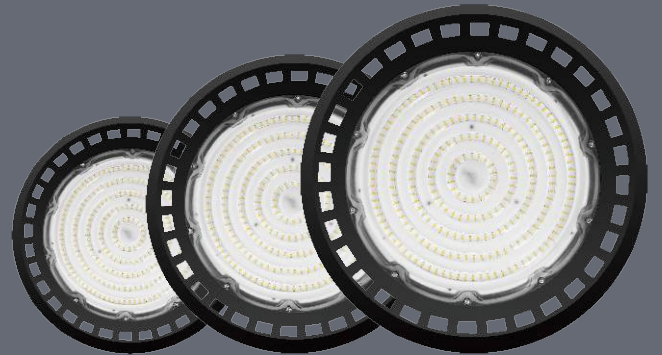


Efficiency
150 lm/W



Lens

We provide 3 optics:
60/90/120



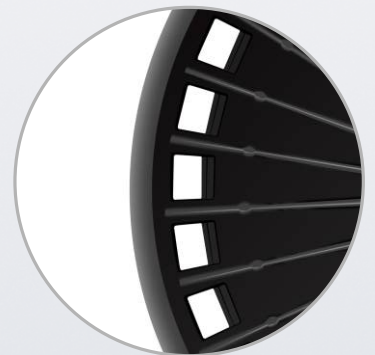
More Than Good



Philips LED



Sosen Driver



Die-cast heatsink



Features

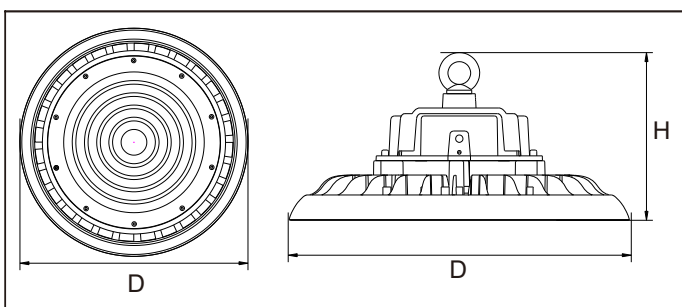
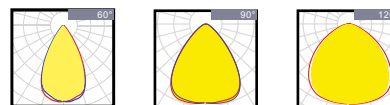
Housing: Die-cast
 Thermal Conductivity: 96 W/m·K
 Led: Philips
 CRI: Ra>80 (90 for option)
 SDCM: <6
 Power Factor: >0.95
 THD: <15
 Driver: Sosen
 Driver Efficiency: >93%
 Protection: OTP, OCP, OVP, SCP
 Surge Protection: 4KV
 Waterproof: IP65
 Impact Test: IK08
 Electrical: 100-277V, 50/60Hz
 Operating Temperature: -40~60°C
 TM21: L80B10>50,000H
 Lifetime: 50,000H



Functions

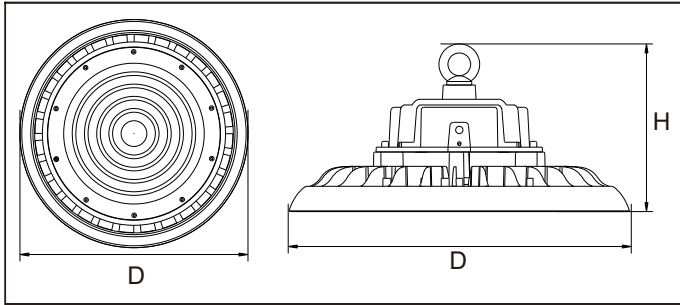
ZigBee · PWM · 0/1~10V · Micro-wave

Optical options:



Model	Watt	Voltage	Lumen	CRI	IP	Dimension
U-O-100	100W	100~277V	15000LM	>80 (90)	IP65	D258*H139MM
U-O-150	150W	100~277V	22500LM	>80 (90)	IP65	D299*H139MM
U-O-200	200W	100~277V	30000LM	>80 (90)	IP65	D347*H142MM

Packing



Model	Outer Carton(mm)			QTY / CTN	NW/CTN	GW/CTN
U-O-100	305	305	145	1	1.80	2.40
U-O-150	365	365	150	1	2.24	2.85
U-O-200	415	415	155	1	3.30	4.00