

# Pluto Series

## Value for Money

Compact and sturdy water resistant LED flood light (IP66) for the illumination of yards, terrains and other kind of surfaces. Ideal for application in (high) masts and for roof edges / facades of buildings. It is one of the highest quality fixtures in its price range.



**150**  
lm/w

- High performance with efficiency up to 150 lm/W
- L80/B10 @25C° 50,000H lifetime
- SDCM < 6
- PF > 0,9
- THD < 15%
- Nominal Voltage: 100-277V
- Insulation Class I

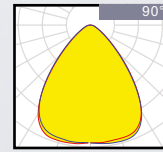
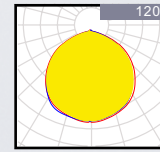


Driver  
**SOSEN**

Chip  
**PHILIPS**



• Beam angle: 120° & 90°



- Robust aluminum die-cast
- High protection rating IP66
- High impact resistance of IK08
- Suitable for operation in ambient temperature of -40°C to +50°C
- Static built-in driver



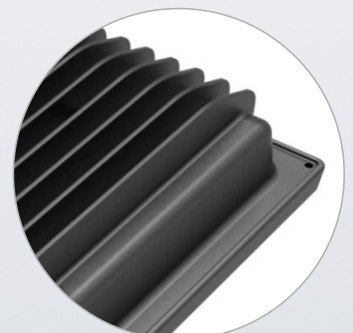
## More Than Good



Philips LED



Sosen Driver

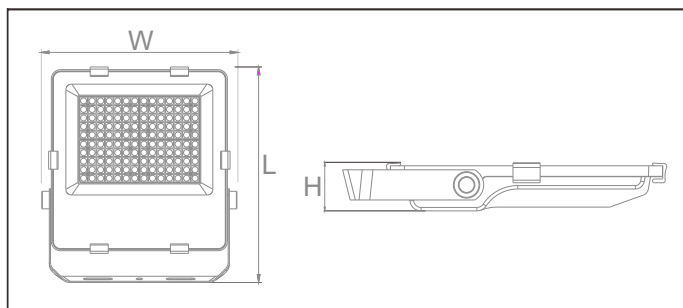


Die-Cast Heatsink



## Features

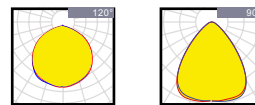
Housing: Die-cast Aluminum ADC12  
 Thermal Conductivity: 96 W/m·K  
 Led: Philips  
 CRI: Ra>70 ( 80/90 for option)  
 SDCM: <6  
 Power Factor: >0.95  
 THD: <15  
 Driver: Sosen  
 Driver Efficiency: >90%  
 Protection: OTP, OCP, OVP, SCP  
 Surge Protection: 4KV  
 Waterproof: IP66  
 Impact Test: IK08  
 Electrical: 100-277V, 50/60Hz  
 Operating Temperature: -40~50°C  
 TM21: L80B10>50,000H  
 Lifetime: 50,000H



## Functions

DALI · 0/1~10V · Micro-wave · PIR

## Optical options:



150lm/w

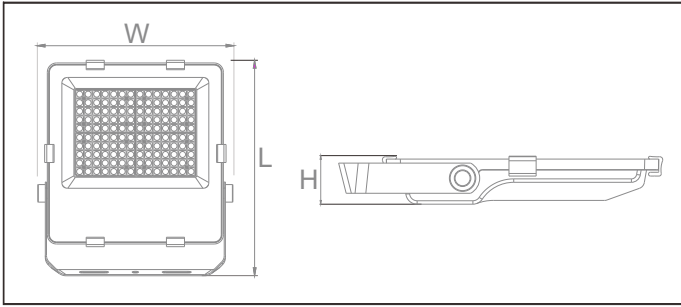
5 YEARS WARRANTY

Sosen Driver

Philips LED

Model	Watt	Voltage	Lumen	CRI	IP	Dimension
U-P-100	100W	100~277V	15000LM	>70 (80)	IP66	L354*W319*H53MM
U-P-150	150W	100~277V	22500LM	>70 (80)	IP66	L400*W359*H63MM
U-P-200	200W	100~277V	30000LM	>70 (80)	IP66	L430*W389*H63MM

# Packing



Model	Outer Carton(mm)			QTY / CTN	NW/CTN	GW/CTN
U-P-100	425	365	138	1	2.90	3.80
U-P-150	470	405	148	1	3.80	4.90
U-P-200	500	435	148	1	4.50	5.80