



Value for money multi purpose floodlight

Water resistant (IP66) flood light perfectly suited for most outdoor applications with a wide array of symmetrical and asymmetrical optics. Super-efficient (150l m/W) – Robust Aluminium Housing – Anti-static Tempered Safety glass – A-quality led chips and driver.

Venus

NEW DESIGN

Optional visor, low spill light and low glare, optional metal mesh, IK10, asymmetric optics and high lumen output (150 lm/W).



- Anti-static tempered glass
- PMMA lens
- Die-cast aluminum steel bracket



150LM/W

Easy installation



IP66



IK10



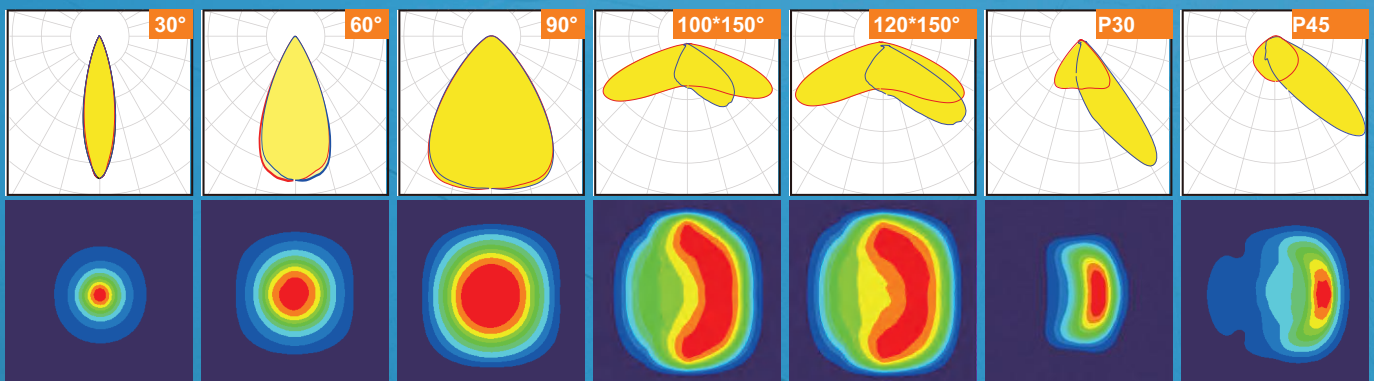


Optional visor

Asymmetric polarized optics and visor to minimize glare, back light, and spill light.

Optics

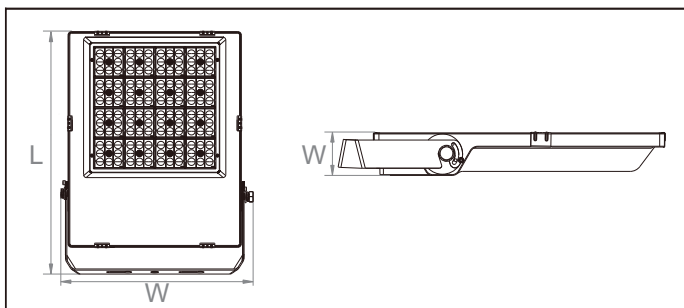
Special designed optics with symmetrical and asymmetrical beam patterns for application on different heights. For improved lux-levels, high uniformity and minimized glare.





Features

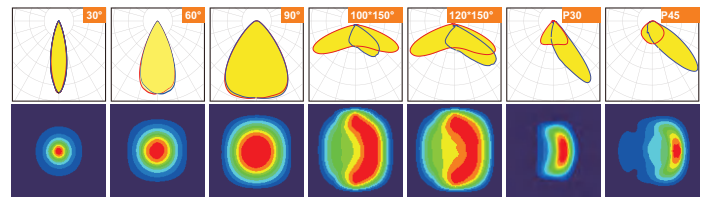
- Housing: Die Cast Aluminum
- Thermal Conductivity: 96 W/m·K
- Led: Philips
- CRI: Ra>70
- SDCM: <6
- Power Factor: >0.95
- THD: <15
- Driver: Sosen
- Driver Efficiency: >93%
- Protection: OTP, OCP, OVP, SCP
- Surge Protection: 6KV
- Waterproof: IP66
- Impact Test: IK08&IK10
- Electrical: 100-277V, 50/60Hz
- Operating Temperature: -40~50 °C
- TM21: L90B10>50,000H
- Lifetime: 50,000H



Optical functions:

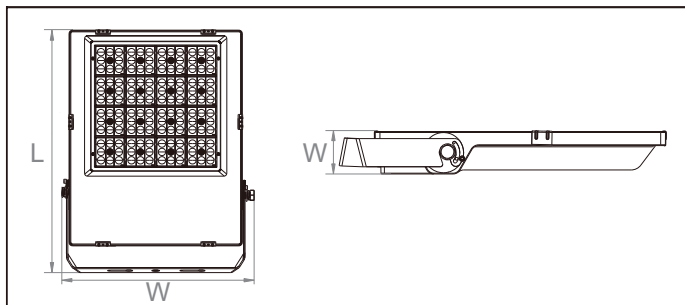
ZigBee · DMX · DALI · 0/1~10V

Optical options:



Model	Watt	Voltage	Lumen	CRI	IP	Dimension
U-V-100	100W	100~277V	15000LM	>70	IP66	292*246*53
U-V-150	150W	100~277V	22500LM	>70	IP66	336*264*53
U-V-200	200W	100~277V	30000LM	>70	IP66	407*328*53
U-V-240	240W	100~277V	36000LM	>70	IP66	407*328*53
U-V-300	300W	100~277V	45000LM	>70	IP66	496*411*65
U-V-400	400W	100~277V	60000LM	>70	IP66	496*411*65

Packing



Luminaire

Model	Outer Carton(mm)			QTY / Outer CTN	Luminaire	
	L	W	H		NW(kg)	GW(kg)
U-V-100	370	275	105	1	2.50	2.90
U-V-150	415	300	120	1	3.30	3.80
U-V-200	485	385	140	1	5.20	5.80
U-V-240	485	385	140	1	5.45	6.10
U-V-300	586	473	165	1	9.60	10.20
U-V-400	586	473	165	1	9.60	10.20