



Redefine Anti-Glaring

GALAXY is the new standard for low glare, high performance, high power industrial highbay fixtures. Due innovative internal anti-glare louvres GALAXY delivers up to 48.000 lm while lighting UGR<21.

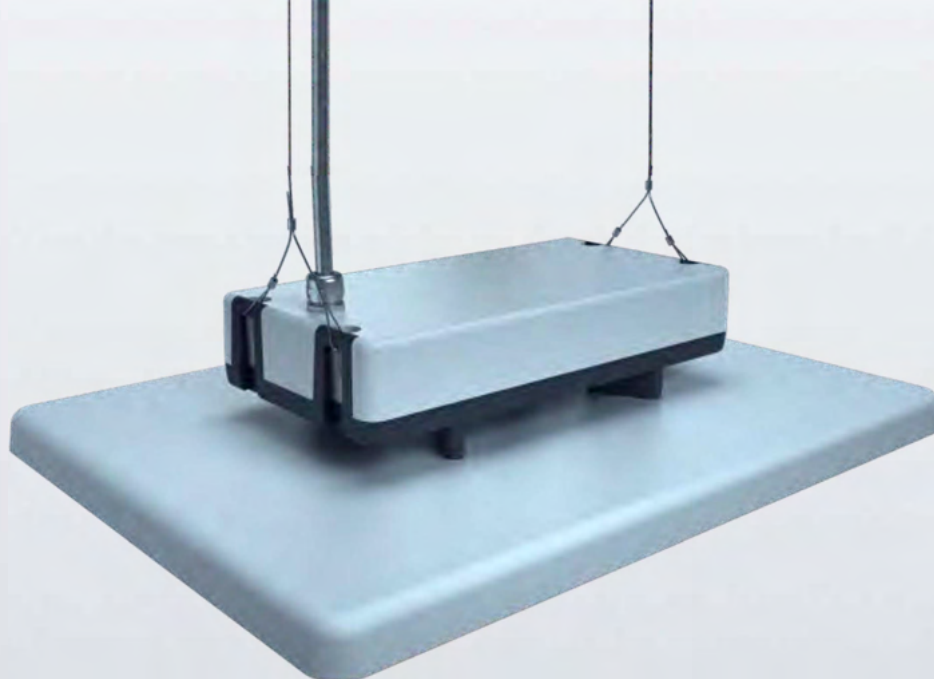


160LM/W



RoHS
compliant

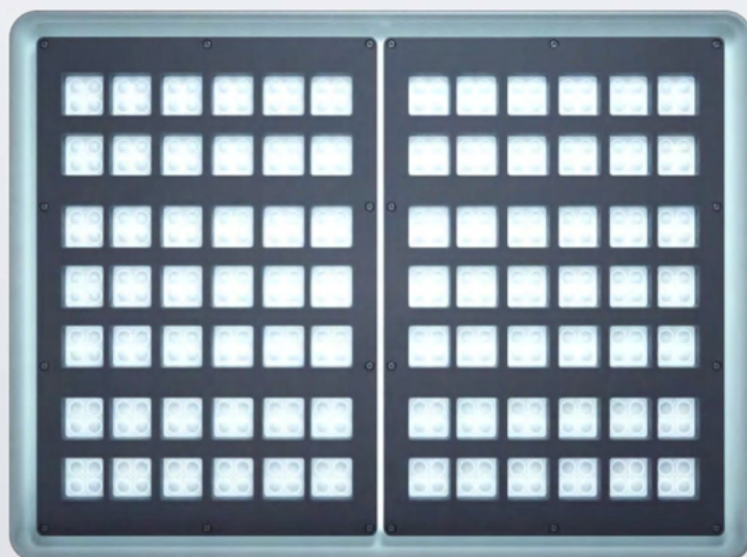
**Anti
Glaring**

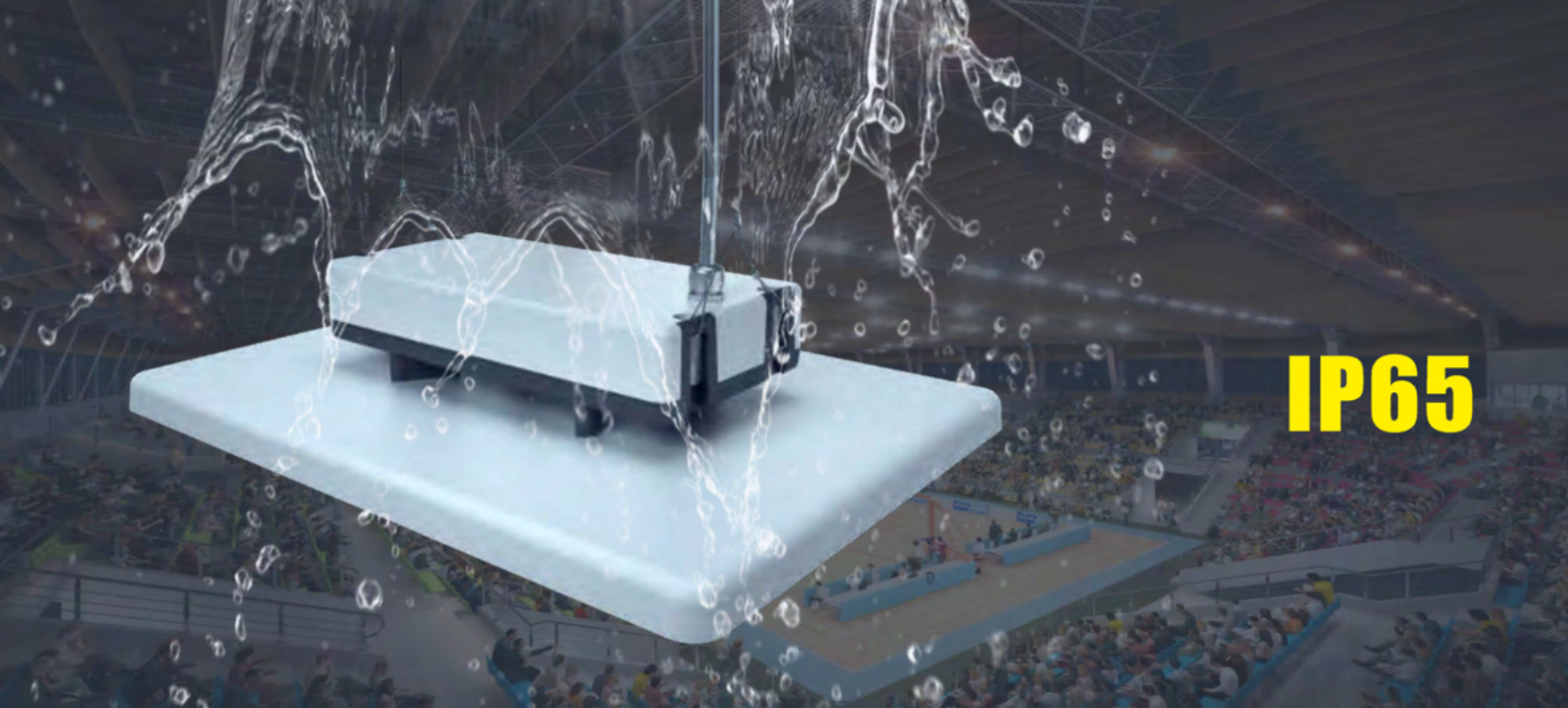


**160LM/W
UGR<21**

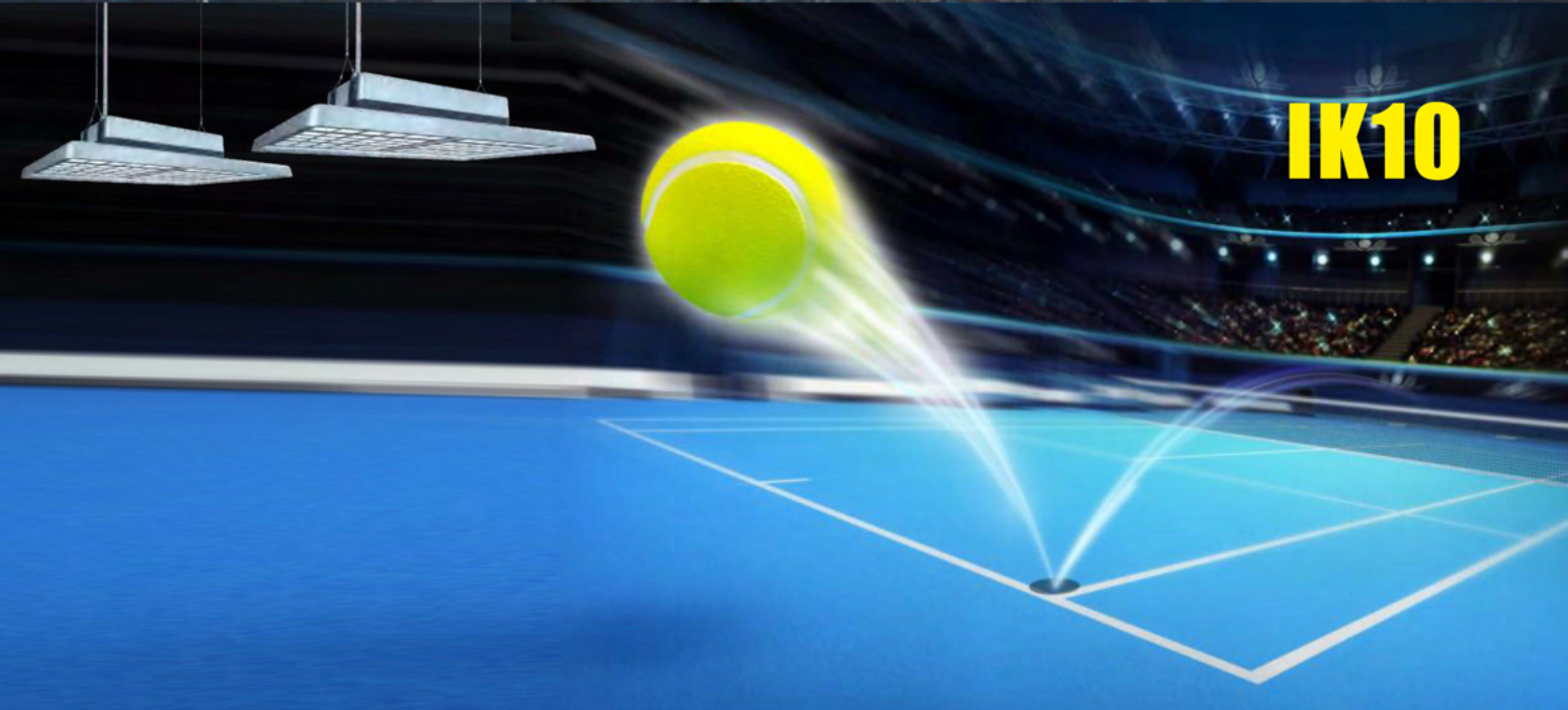
Advanced UGR technology

The optical system minimizes glare, maximizes uniformity, anti-glaring film on the lenses, a shield in front and internal louvres realise UGR<21.

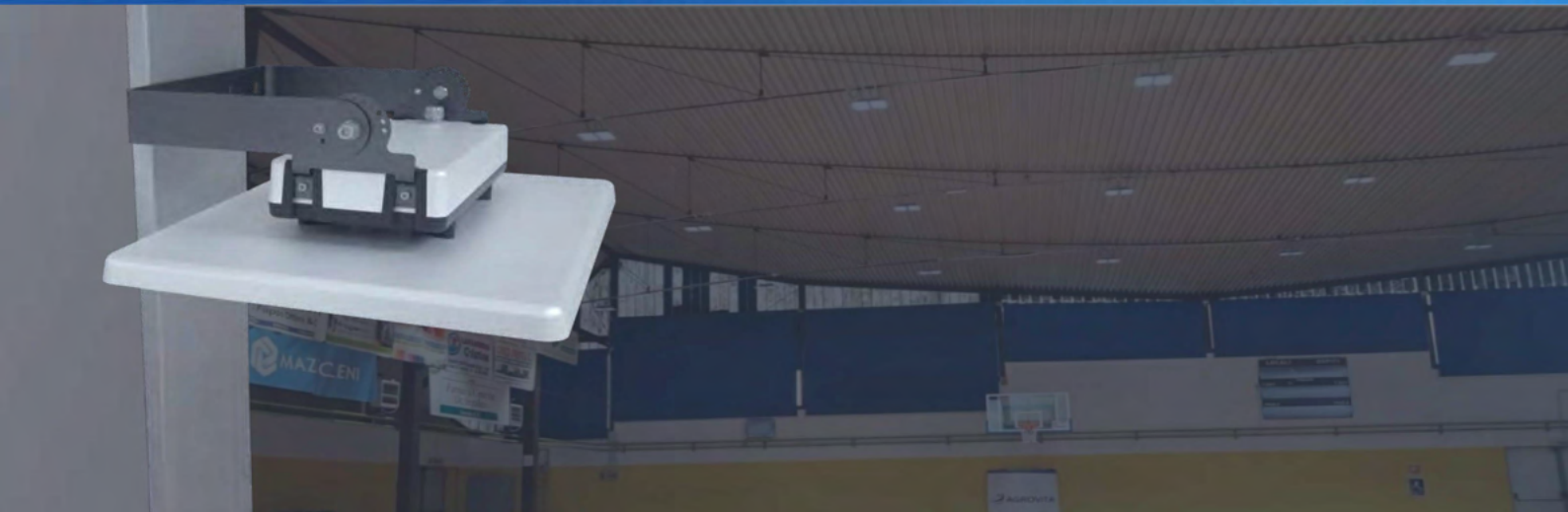




IP65



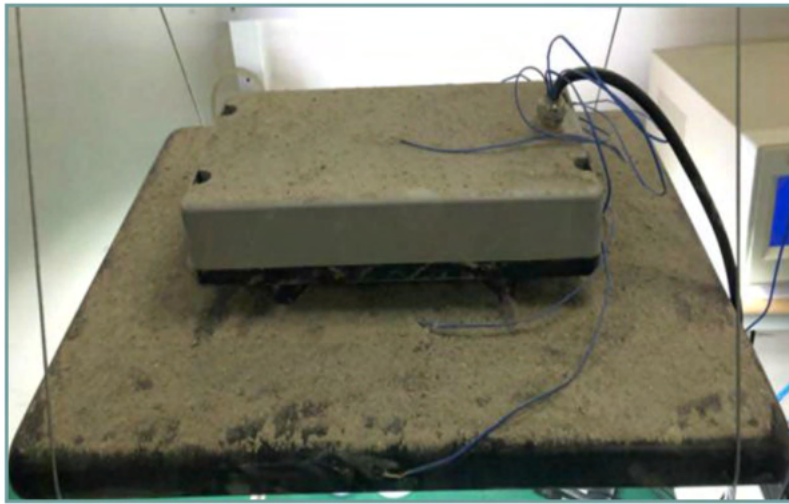
IK10



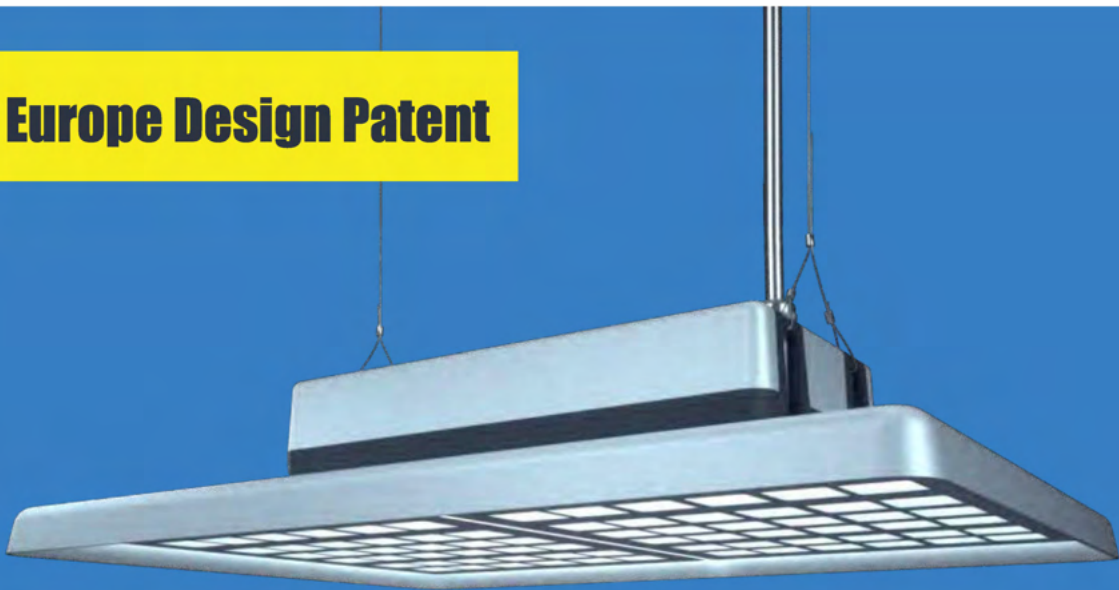
Multiple mounting solutions

Excellent Heat Dissipation

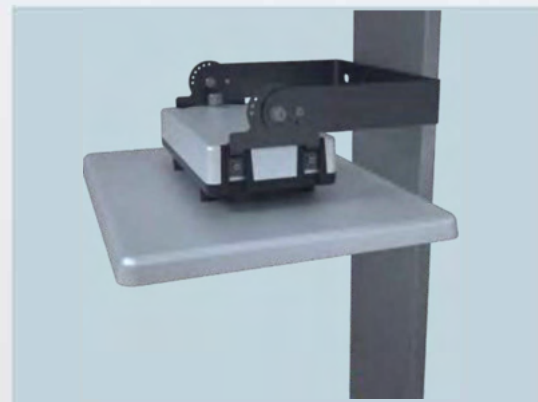
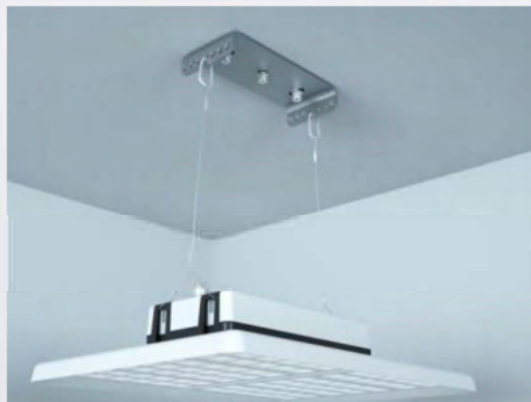
Exclusive dust testing, a simulation of 5 years of dust collection, resulted in a 2 degrees Celsius increase of the Tc temperature on leds and driver.



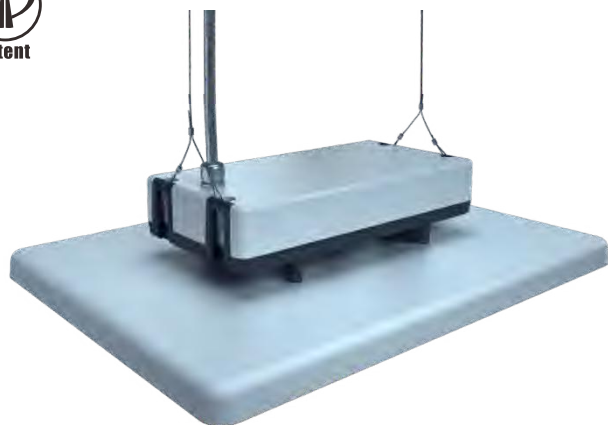
Europe Design Patent



Simple installation



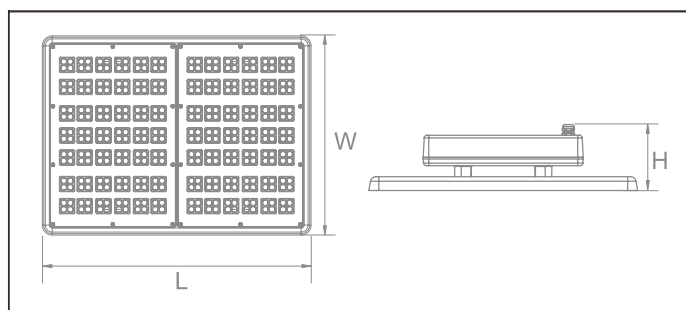
With a ceiling installation accessory equipped with mains lead, the two suspension points at the ceiling the installation is simple. Installation instructions are included with the GALAXY fixtures.



160LM/W

Features

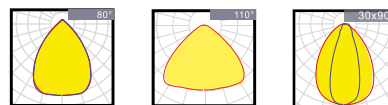
- Housing: Pure Aluminum
- Thermal Conductivity: 226 W/m·K
- Led: CREE JK 3030
- CRI: Ra>80
- SDCM: <6
- Power Factor: >0.95
- THD: <15
- Driver: Meanwell XLG
- Driver Efficiency: >93%
- Protection: OTP, OCP, OVP, SCP
- Surge Protection: 10KV
- Waterproof: IP65
- Impact Test: IK10
- Electrical: 220-240V, 50/60Hz
- Operating Temperature: -40~50°C
- Tm21: L90B10>50,000H
- Lifetime: 50,000H



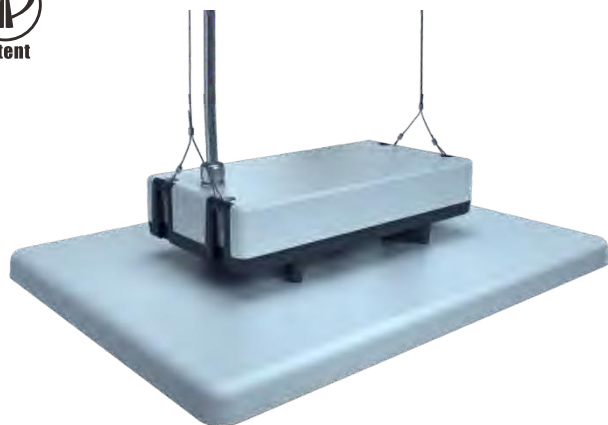
Optional functions:

ZigBee · PWM · DALI · 0/1~10V · Micro-wave

Optical options:



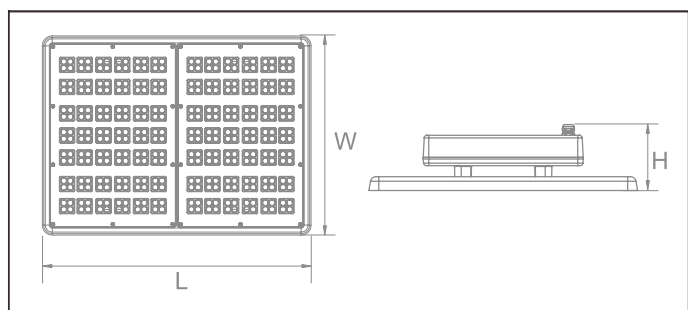
Model	Watt	Voltage	Lumen	CRI	IP	Dimension
U-G-60	60W	100~277V	9600LM	>80	IP65	L362*W257*H120MM
U-G-100	100W	100~277V	16000LM	>80	IP65	L362*W257*H120MM
U-G-120	120W	100~277V	19200LM	>80	IP65	L415*W310*H120MM
U-G-150	150W	100~277V	24000LM	>80	IP65	L487*W362*H120MM
U-G-200	200W	100~277V	32000LM	>80	IP65	L487*W362*H120MM
U-G-300	300W	100~277V	48000LM	>80	IP65	L720*W365*H130MM



160LM/W

Features

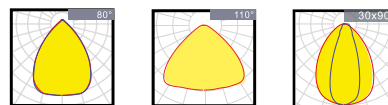
- Housing: Pure Aluminum
- Thermal Conductivity: 226 W/m·K
- Led: Philips
- CRI: Ra>8
- SDCM: <6
- Power Factor: >0.95
- THD: <15
- Driver: Sosen
- Driver Efficiency: >93%
- Protection: OTP, OCP, OVP, SCP
- Surge Protection: 4KV
- Waterproof: IP65
- Impact Test: IK10
- Electrical: 100-277V, 50/60Hz
- Operating Temperature: -40~50°C
- Tm21: L90B10>50,000H
- Lifetime: 50,000H



Optional functions:

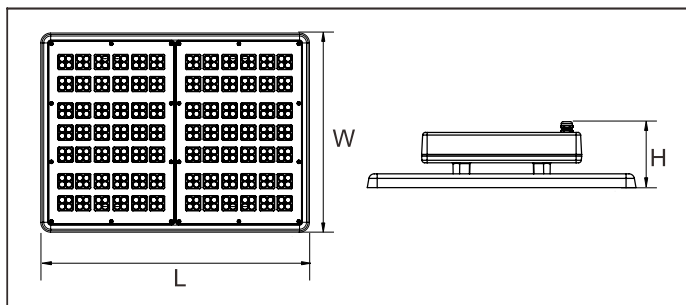
ZigBee · PWM · DALI · 0/1~10V · Micro-wave

Optical options:



Model	Watt	Voltage	Lumen	CRI	IP	Dimension
U-G-100	100W	100~277V	16000LM	>80	IP65	L362*W257*H120MM
U-G-120	120W	100~277V	19200LM	>80	IP65	L415*W310*H120MM
U-G-150	150W	100~277V	24000LM	>80	IP65	L487*W362*H120MM
U-G-200	200W	100~277V	32000LM	>80	IP65	L487*W362*H120MM

Packing



Model	L*W*H (mm)	Outer Carton(mm)			QTY/CTN	NW/CTN	GW/CTN
U-G-60	362*257*120	460	330	175	1	4.1	4.5
U-G-100	362*257*120	460	330	175	1	4.1	4.5
U-G-120	415*310*120	500	385	175	1	4.4	5.0
U-G-150	487*362*120	560	430	175	1	5.8	6.5
U-G-200	720*365*130	820	445	195	1	7.5	8.7
U-G-300	720*365*130	820	445	195	1	7.5	8.7