



Sun Street Light

The SUN is a multi-power, robust and functional street lighting fixture, with a clean linear design, highly efficient LED modules, designed for street, parking lots, bicycle and pedestrian paths. SUN fixtures are also very suitable for mounting alongside facades of buildings and the edge of roofs for lighting and the illumination of premises. It is one of the highest quality fixtures in its price range. Designed from the ground up as a totally optimized LED street and area lighting system, our street light delivers incredible efficiency without sacrificing.



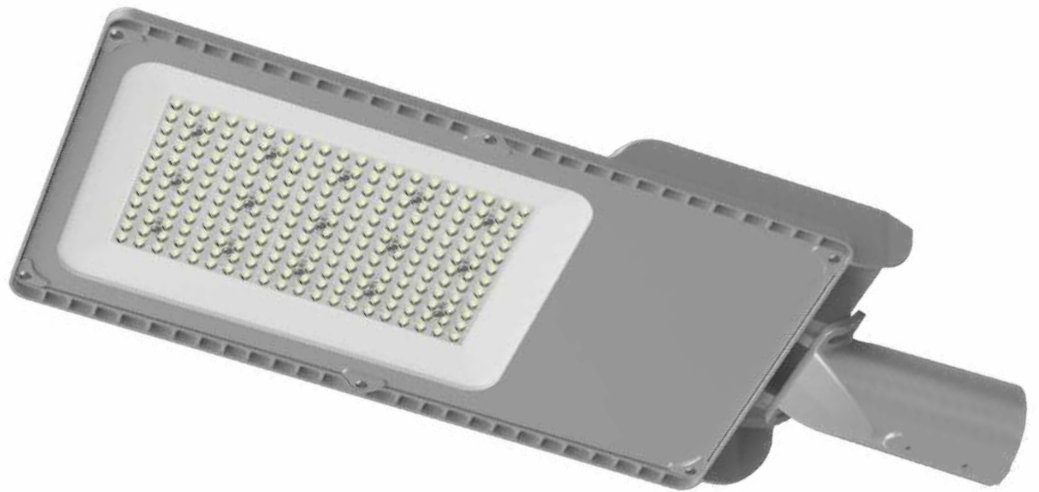
Street Light

IP66, IK08

6~20kv Surge Protection

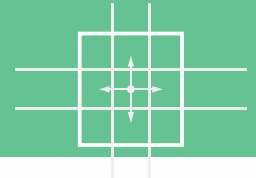
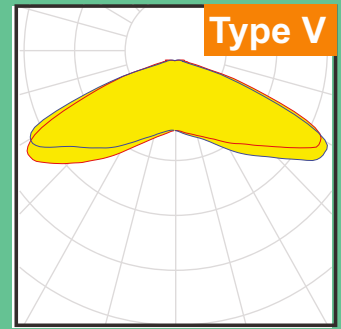
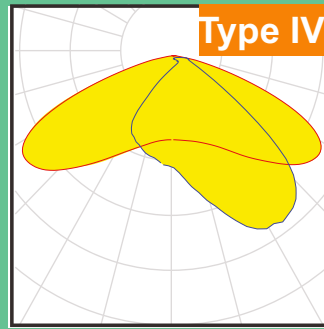
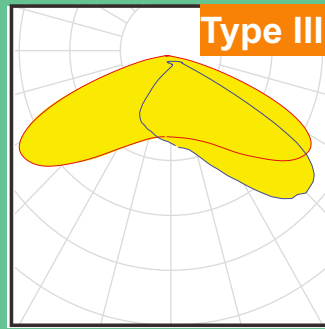
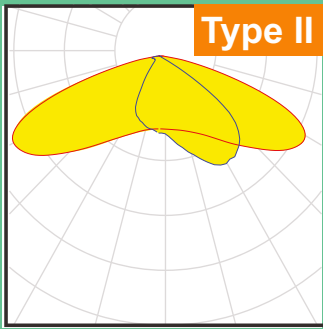
High bright 160lm/w

Tempered Glass
PMMA lens



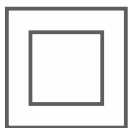
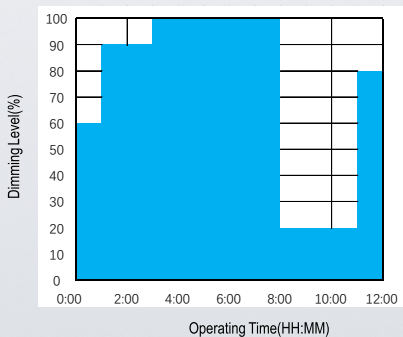
Smooth back cover design

Eliminate the risk of dust and bird droppings



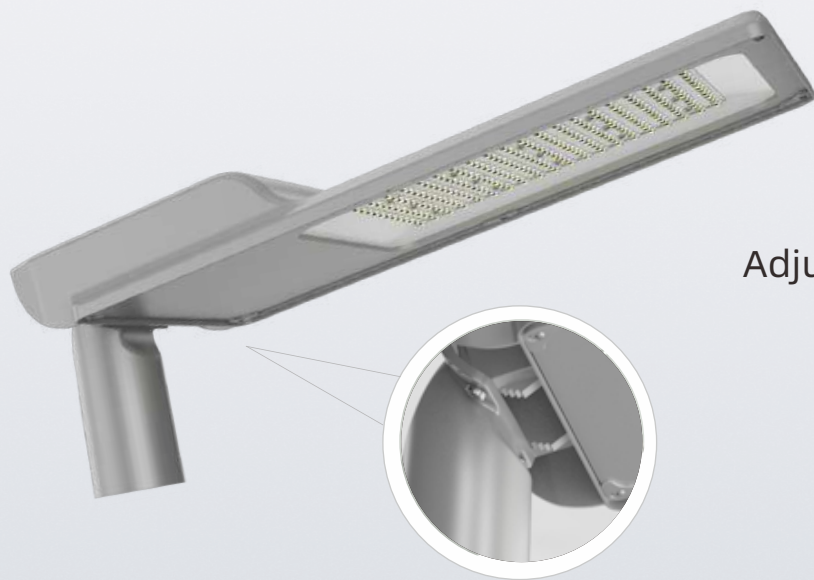
IESNA STANDARD	Roadway width / Mounting Height	
	One side mounting	Both side mounting
Type II	Up to 1 times MH	Up to 2 times MH
Type III	Up to 1.5 times MH	Up to 3 times MH
Type IV	Up to 2 times MH	Up to 4 times MH
Type V	Up to 4 times MH	

Auto dimming & Timming function
Easy to manage, more saving



Class II

Class II is also known as 'double insulated'. This is an IEC protection class and refers to the power supply's internal construction and electrical insulation. The output is considered safe for contact and no major safety protection is required for the luminaire level. There is no risk of fire or electric shock.



Adjustable inclination system

Precise Angle Rotation



Horizontal Installation



Vertical Installation

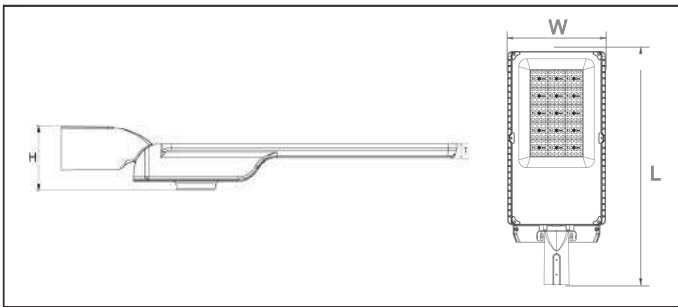
IP66 Waterproof
6kv/20kv Surge Protection





Features

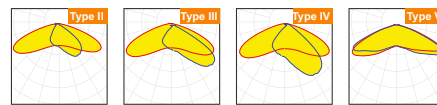
Housing: Die-cast Aluminum
 Thermal Conductivity: 96 W/m·K
 Led: PHILIPS
 CRI: Ra>70
 SDCM: <6
 Power Factor: >0.95
 THD: <15
 Driver: Meanwell XLG
 Driver Efficiency: >90%
 Protection: OTP, OCP, OVP, SCP
 Surge Protection: 6KV
 Waterproof: IP66
 Impact Test: IK08
 Electrical: 100-277V, 50/60Hz
 Operating Temperature: -40~50°C
 TM21: L90B10>50,000H
 Lifetime: 50,000H



Optional functions:

DALI · 0/1~10V · Timing · Program · Always-on Auxiliary

Optical options:



150~160lm/w

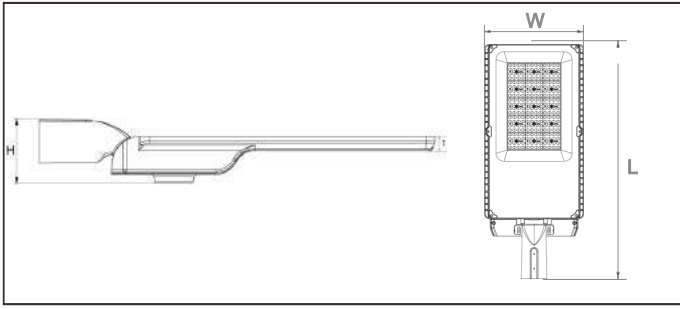
5 YEARS WARRANTY

Meanwell Driver

PHILIPS LED

Model	Watt	Voltage	Lumen	CRI	IP	Dimension
U-S-24	24W	100~277V	3840LM	>70	IP66	L515*W190*H99mm
U-S-40	40W	100~277V	6400LM	>70	IP66	L515*W190*H99mm
U-S-50	50W	100~277V	7500LM	>70	IP66	L515*W190*H99mm
U-S-80	80W	100~277V	12800LM	>70	IP66	L575*W242*H109mm
U-S-100	100W	100~277V	15000LM	>70	IP66	L575*W242*H109mm
U-S-120	120W	100~277V	18000LM	>70	IP66	L615*W262*H109mm
U-S-150	150W	100~277V	22500LM	>70	IP66	L615*W262*H109mm
U-S-180	180W	100~277V	27000LM	>70	IP66	L685*W287*H109mm
U-S-200	200W	100~277V	30000LM	>70	IP66	L685*W287*H109mm

Packing



Fixture

Model	Dimension (mm)	Outer Carton(mm)			QTY / Outer CTN	Luminaire	
		L	W	H		NW(kg)	GW(kg)
U-S-24	515*190*99	587	260	175	1	2.40	3.00
U-S-40	515*190*99	587	260	175	1	2.40	3.00
U-S-50	515*190*99	587	260	175	1	2.40	3.00
U-S-80	575*242*109	646	312	185	1	3.60	4.40
U-S-100	575*242*109	646	312	185	1	3.60	4.40
U-S-120	615*262*109	686	332	185	1	4.05	4.80
U-S-150	615*262*109	686	332	185	1	4.05	4.80
U-S-180	685*287*109	766	357	185	1	5.30	6.50
U-S-200	685*287*109	766	357	185	1	5.30	6.50