



# Meteor

## Series *Explosion proof*

*Explosion proof fixture suitable for hazardous areas, Zone 1,21 and Zone 2,22 and Groups IIA, IIB, IIC. Applicable to all industrial hazardous environments exposed to gas and/or dust explosion danger.*

**Meteor**

# LED INDUSTRIAL EXPLOSION-PROOF FIXTURE

Benchmark in the field of industrial explosion-proof lighting

**IP66**

**140LM/W**

**20/40/60/75W**



**Grey and Yellow Coating optional**

**ATEX**

**Certified**

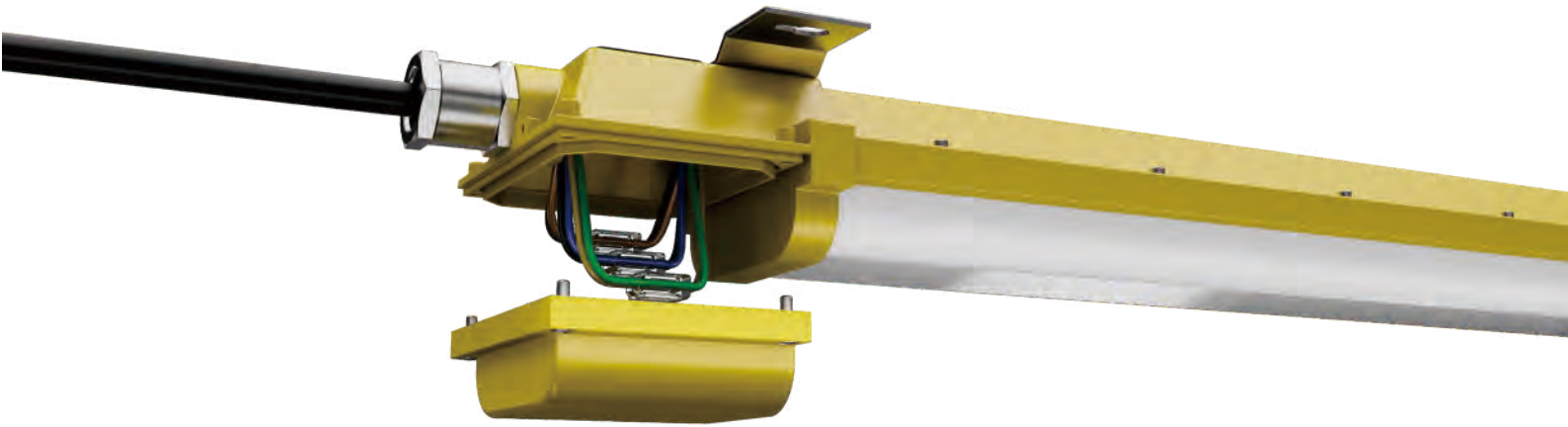
**II 2G Ex eb mb IIC T6 Gb**

**II 2D Ex tb IIIC T(110°C) Db**



*ATEX-fixture certified according to the ATEX directives. High energy efficiency (140 lm/W). Water resistant (IP66) and shock proof (IK10). Easy installation and linkable in series through WAGO-connectors with through-put wiring and dual stainless steel glands.*



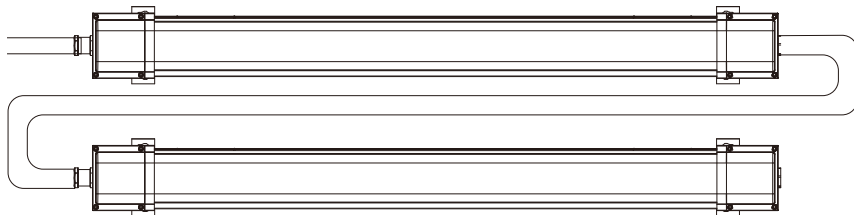


# Wago connectors

Easy Rewiring  
Cost Saving

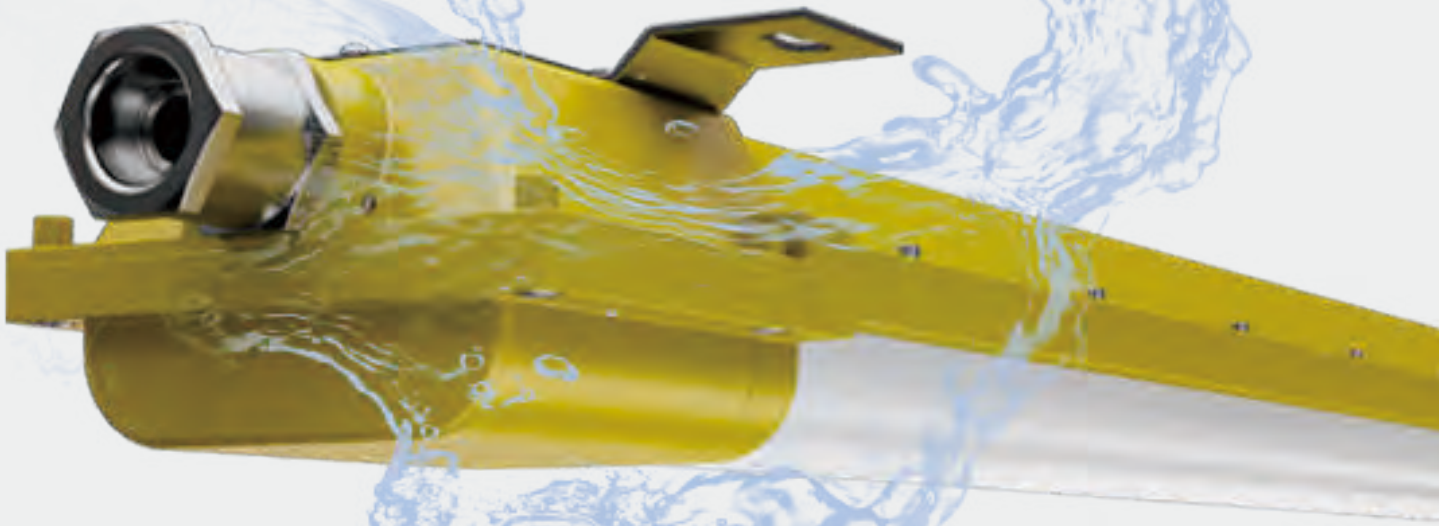
*3x 2.5mm<sup>2</sup> wire-through cabling.  
Stainless steel gland on both sides.  
Linkable in series to save installation  
time and cost.*

## Linkable in Series



# IP66

*Water resistant due to strong sealing performance with special anti-aging silicone sealing ring. High and low temperature resistance. Manufactured with high-precision machining technology.*



## WF2 Anti-corrosive

*The surface of the fixture is treated by high-voltage electrostatic spraying, resulting in high corrosion resistance and rust prevention. Anti-corrosion level Wf2.*

# Excellent Heat Conductivity

---

A6063 alloy aluminum material



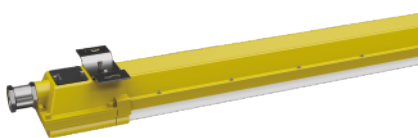
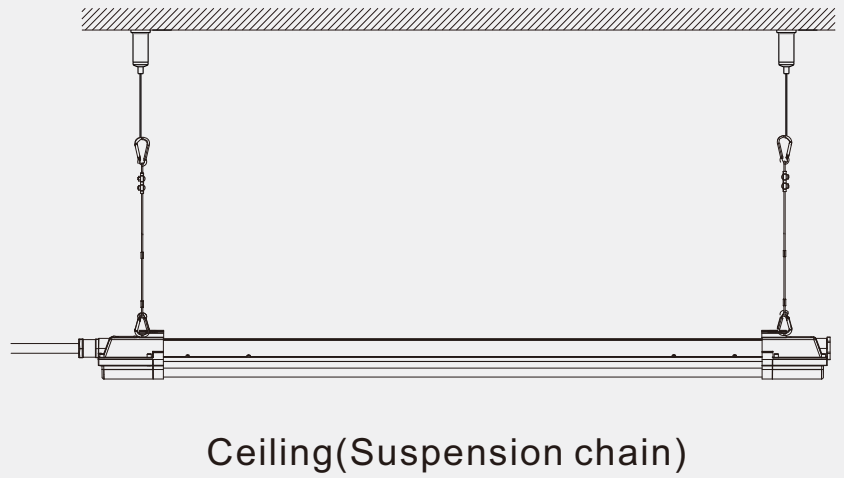
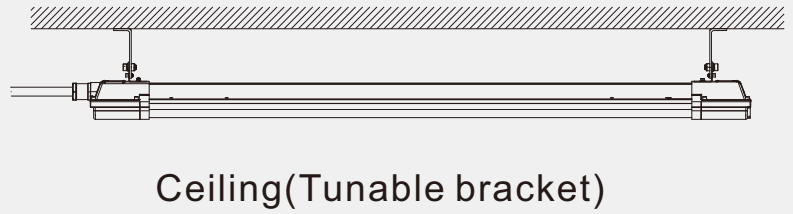
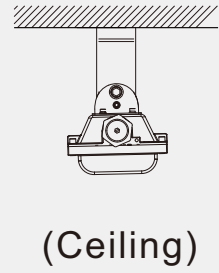
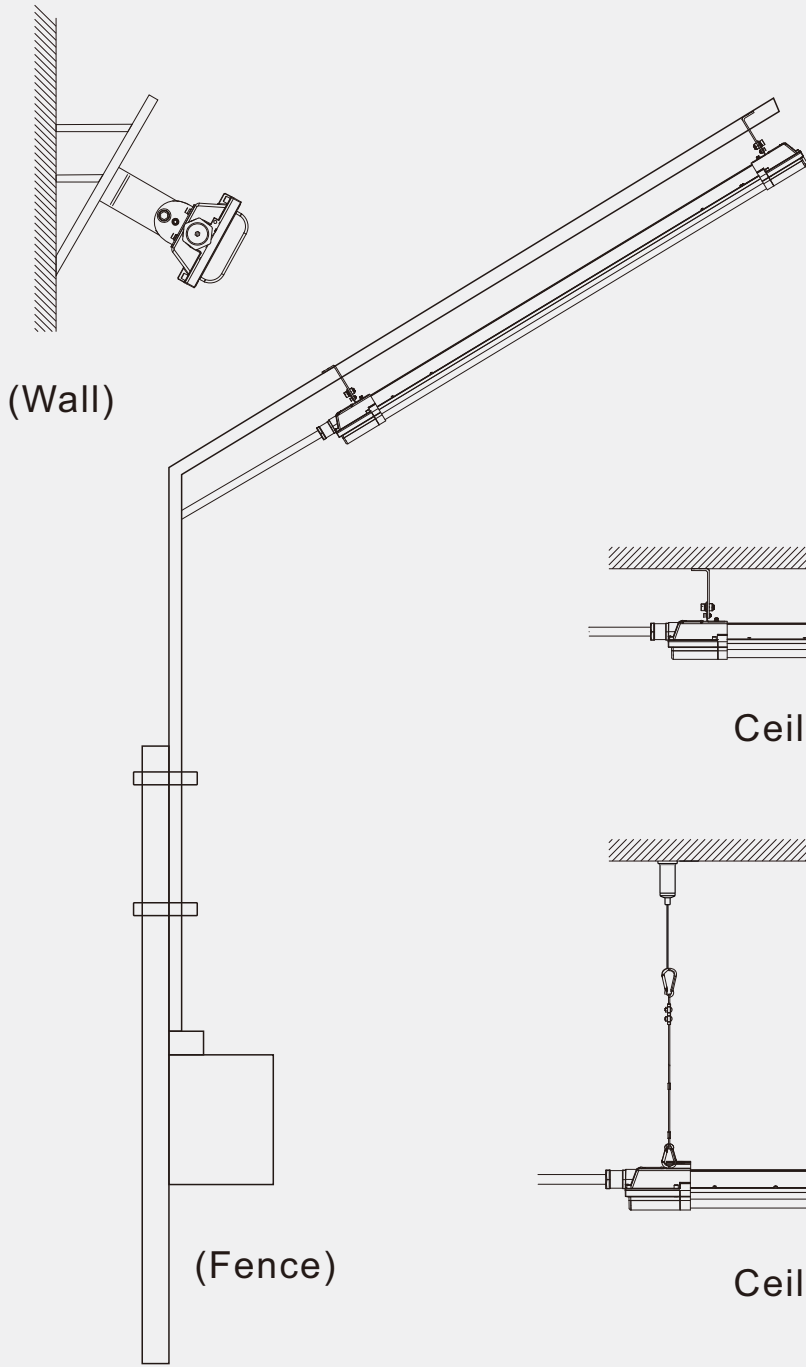
---

Structural heat dissipation design

- ◇ *The radiator consists of high pressure alloy diecast A6063 aluminum.*
- ◇ *Designed for fast heat conduction and optimal heat-dissipation. Super strong and sturdy high impact body (IK10).*
- ◇ *Silicone seals with high thermal conductivity of 3.0.*



# Examples of mounting



Fixed bracket



Tunable bracket



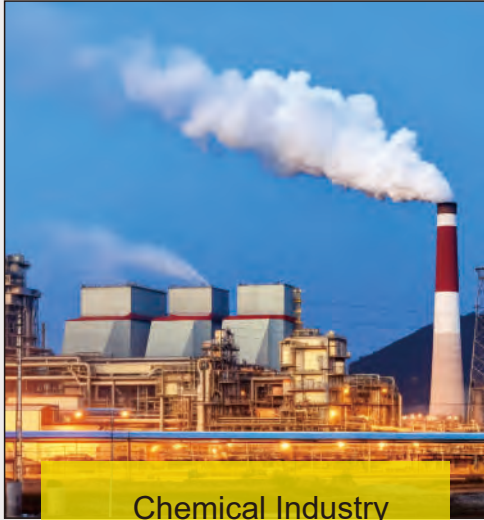
Hanging chain

# Application

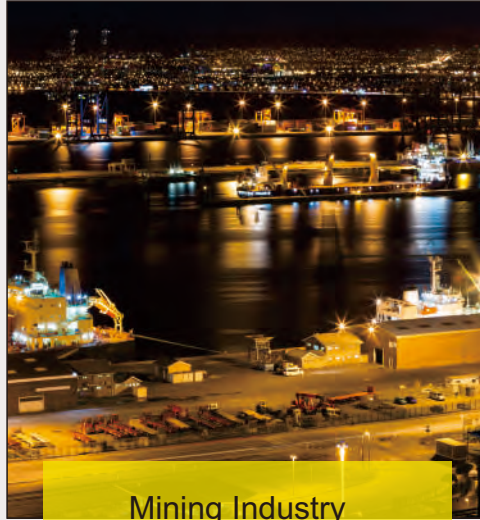
Zone 1    Zone 2  
Zone 21    Zone 22

*Applied to oil fields, oil refineries, offshore oil platform, power plants, gas stations, oil tanks, wharf tunnels, pumping stations, main- and substations, military bases, etc.*

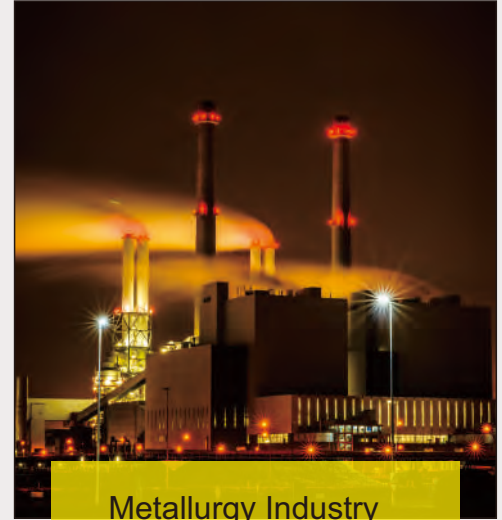
*Hazardous Locations: Zone 1, 21 and 2, 22; Groups IIA, IIB, IIC.*



Chemical Industry



Mining Industry



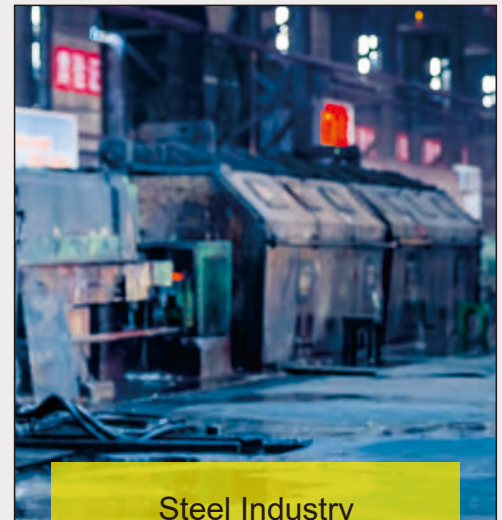
Metallurgy Industry



Industrial manufacturing



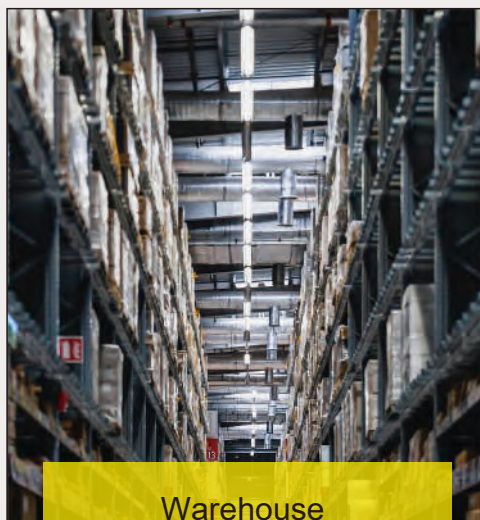
Tank Industry



Steel Industry



Ship Industry

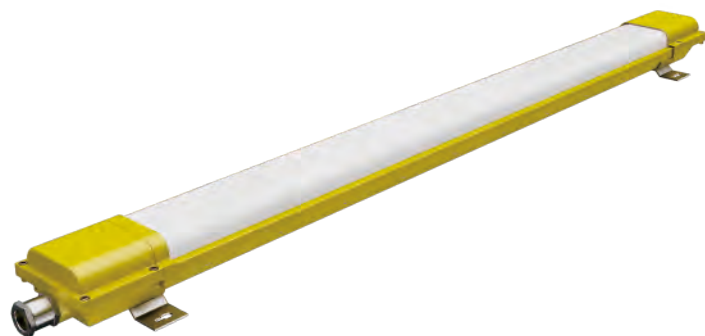


Warehouse



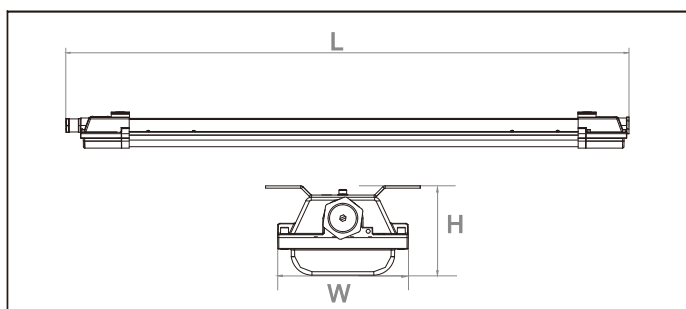
Industrial factories





## Features

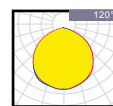
Housing: Pure Aluminum A6063  
 Thermal Conductivity: 226 W/m·K  
 Led: Bridgelux  
 CRI: Ra>80  
 SDCM: <6  
 Power Factor: >0.95  
 THD: <15  
 Driver: Tridonic Driver  
 Driver Efficiency: >92%  
 Protection: OTP, OCP, OVP, SCP  
 Surge Protection: 4KV  
 Waterproof: IP66  
 Impact Test: IK10  
 Corrosion Proof: WF2  
 Electrical: 220-240VAC, 50/60Hz; 12-24 VDC (optional)  
 Operating Temperature: -25~45  
 TM21: L90B10>50,000H  
 Lifetime: 50,000H



## Optional functions:

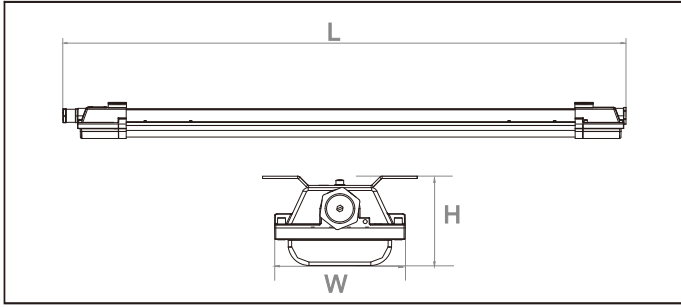
ZigBee ·PWM ·DALI 0/1~10V

## Optical options:



Model	Watt	Voltage	Lumen	CRI	IP	Dimension
U-EX20M-5-0.6	20W	220~240	2800LM	>80	IP66	599*135*78mm
U-EX40M-5-0.6	40W	220~240	5600LM	>80	IP66	599*135*78mm
U-EX40M-5-1.2	40W	220~240	5600LM	>80	IP66	1199*135*78mm
U-EX60M-5-1.2	60W	220~240	8400LM	>80	IP66	1199*135*78mm
U-EX80M-5-1.2	80W	220~240	11200LM	>80	IP66	1199*135*78mm

# Packing



Model	L*W*H (MM)	Inner Carton(mm)			QTY/ INNER CTN	Outer Carton(mm)			QTY/ Outer CTN	NW/CTW	GW/CTW
U-EX20M-5-0.6	599*135*78	/	/	/	/	755	160	115	1	3.26	4.04
U-EX40M-5-0.6	599*135*78	/	/	/	/	755	160	115	1	3.26	4.04
U-EX40M-5-1.2	1199*135*78	/	/	/	/	1355	160	115	1	4.20	4.95
U-EX60M-5-1.2	1199*135*78	/	/	/	/	1355	160	115	1	4.20	4.95
U-EX80M-5-1.2	1199*135*78	/	/	/	/	1355	160	115	1	4.20	4.95